

Copyright Reserved

RESTRICTED

The information given in this document is not to be communicated, either directly or indirectly, to the Press or to any person not authorized to receive it.

W.O.  
CODE No.  
10569

57  
SIGNALS  
5012

# IDENTIFICATION LIST

FOR

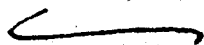
WIRELESS SETS, 22. 22 CRYSTAL AND 22 Mk. 1/1  
POWER SUPPLY UNITS, No. 4, Mk.1, Mk.2 and Mk. 2/1

1953

(Supersedes W.O. Code Numbers: 2398, 2399, 2846 and 2874)

BY COMMAND OF THE ARMY COUNCIL

*G. W. Sumner*

  
WAR OFFICE,  
9th October, 1953

E. S. 2209



FOR: - WIRELESS SETS 22, 22 CRYSTAL, and 22 Mk. 1/1.

ITEM No.	PLATE No.	V.A.O.S. SECTION AND CATALOGUE No.	DESIGNATION	No. OFF			SCHEMATIC REFERENCE
				W.S. 22	W.S. 22 TTA1	W.S. 22 Mk. 1/1	
		Z1/ZA.11694	WIRELESS SETS, 22 Mk. 1				Drawing
		Z1/ZA.23774	WIRELESS SETS, 22 CRYSTAL				I.E.M.E. 86373
		Z1/ZA.25605	WIRELESS SETS, 22 Mk. 1/1				I.E.M.E. 86375
1	B1	Z1/ZA.14475	BASES, SCREENING CAN, No. 1	4	4	-	
2	B2	Z1/ZA.28731	BASES, SCREENING CAN, No. 2	-	-	4	
3	B3	Z1/ZA.14476	BODIES, SCREENING CAN, No. 1	4	4	4	
4	A4	Z1/ZA.21525	BRACES, CARRYING, No. 1 Mk. II (For breakdown see items 219 to 225)	1	1	1	
5	O5	Z1/ZA.21146	BRACKETS, CONDENSER MOUNTING, No. 23	1	1	1	
6	O6	Z1/ZA.21442	BRACKETS, CONDENSER MOUNTING, No. 25	2	2	2	
7	A7	Z1/ZA.2134	BRACKETS, LOCKING DEVICES, No. 8	2	2	2	
8	J8	Z1/ZA.24456	BRACKETS, METAL, 1.1/2-in x 1.3/4-in x 1.1/8-in No. 1	-	1	-	
9	B9	Z1/ZA.21145	BRACKETS, MOUNTING, No. 32	1	1	1	
10	B10	Z1/ZA.21144	BRACKETS, MOUNTING, No. 33	1	1	1	
11	O11	Z1/ZA.14566	BRACKETS, RELAY MOUNTING, No. 5	1	1	1	
12	O12	Z1/ZA.14697	BRACKETS, SUPPORTING, No. 2	1	1	1	
13	B13	Z1/ZA.14471	CANS, SCREENING, 1.7/16-in x 1.7/16-in x 1.1/8-in No. 1	1	1	1	
14	B14	Z1/ZA.14991	CANS, SCREENING, 1.17/32-in x 1.5/16-in x 1.15/32-in No. 1	1	1	-	
15	O15	Z/Z.145010	CAPACITORS, elect., met., tub., 2uF, + 50-20%, 350 V.D.C. wkg. No. 3	2	2	2	O21
16	O16	Z1/ZA.20973	CAPACITORS, elect., met., tub., 100uF, + 50-20%, 6 V.D.C. wkg. No. 1	1	1	1	O24
17	BAC 17	Z/Z.123194	CAPACITORS, mlded., mica., stkd. FOIL, 100pF., + 20% 350 V.D.C. wkg. No. 1	2	2	2	O18
18	BAC 18	Z/Z.123456	CAPACITORS, mlded., mica., stkd. FOIL, 500pF., ± 20% 350 V.D.C. wkg. No. 2	5	5	5	O19
19	BAC 19	Z1/ZA.1376	CAPACITORS, mlded., mica., mtd. FOIL, 0.001uF, ± 10% 350 V.D.C. wkg. No. 4	6	6	6	O23
20	O20	Z/Z.115280	CAPACITORS, pap. met. tub. 0.002uF, ± 20% 650 V.D.C. wkg. No. 1	1	1	1	O20
21	O21	Z/Z.115281	CAPACITORS, pap. met. tub. 0.005uF, ± 20% 650 V.D.C. wkg. No. 1	1	1	1	O30
22	BAC 22	Z/Z.115282	CAPACITORS, pap. met. tub. 0.01uF, ± 20% 650 V.D.C. wkg. No. 1	6	6	4	O16
23	O23	Z1/ZA.11230	CAPACITORS, silvd., CERAMIC DISC., 10pF, ± 10% 500 V.D.C. wkg. No. 1	2	2	-	O29
24	O24	Z/Z.132277	CAPACITORS, silvd. CERAMIC tub. 22pF, ± 10% 500 V.D.C. wkg. No. 1	-	-	1	O11
25	O25	Z/Z.125021	CAPACITORS, silvd. MICA protod. 10pF, ± 10% 350 V.D.C. wkg. No. 1	-	-	4	O29
26	O26	Z1/ZA.32110	CAPACITORS, silvd. MICA protod. 20pF, ± 20% 350 V.D.C. wkg. No. 1	1	1	-	O11
27		Z/Z.125068	CAPACITORS, silvd. MICA protod. 22pF, ± 10% 350 V.D.C. wkg. No. 2 (Used only on certain W/Sets 22 Mk. 1/1)	-	-	1	O31
28	BAC 28	Z1/ZA.1604	CAPACITORS, silvd. MICA, protod. 140pF ± 2% 350 V.D.C. wkg. No. 4	2	2	2	O17
29	O29	Z1/ZA.32943	CAPACITORS, silvd. MICA protod. 0.0013uF ± 2% 350 V.D.C. wkg. No. 1	-	-	1	O15
30	O30	Z1/ZA.11066	CAPACITORS, silvd. MICA, protod. 0.0016uF, ± 2% 350 V.D.C. wkg. No. 1	1	1	1	O14
31	O31	Z/Z.126444	CAPACITORS, silvd. MICA, protod. 0.005uF, ± 2% 350 V.D.C. wkg. No. 1	1	1	1	O28
32	O32	Z1/ZA.29068	CAPACITORS, SEMI-FIXED, 600pF. max. No. 1	-	-	1	O3
33	O33	Z1/ZA.2009	CAPACITORS, SEMI-FIXED, 750pF. max. No. 1	1	1	-	O3
34	O34	Z1/ZA.20965	CONDENSERS, 4 A.Q. (4 uF + 100% - 20% 12 V.D.C. wkg.)	1	1	1	O22
35	BAC 35	Z1/ZA.20614	CONDENSERS, P.I.B.T. (0.1uF, 20% 350 V.D.C. wkg.)	17	17	16	O10
36	O36	Z1/ZA.1706	CONDENSERS, R4.F (0.004uF, 15% 750 V.D.C. wkg.)	1	1	1	O26
37	O37	Z1/ZA.18973	CONDENSERS, R.13.B (0.0013uF, 5% 350 V.D.C. wkg.)	1	1	-	O15
38	O38	Z1/ZA.1597	CONDENSERS, Y3F (0.00003uF, 20% 350 V.D.C. wkg.)	3	4	-	O12
39	O39	Z1/ZA.1595	CONDENSERS, Y5.G (0.00005uF, 350 V.D.C. wkg.)	1	1	-	O13
40	O40	Z1/ZA.20974	CONDENSERS, 200B. (200uF, + 50% - 20% 12 V.D.C. wkg.)	1	1	1	O27
41	O41	Z1/ZA.37533	CONDENSERS, SEMI-FIXED, 80pF. max. No. 2	1	1	1	O7
42	O42	Z1/ZA.11073	CONDENSERS, SEMI-FIXED, Y3.D	2	2	2	O2
43	O43	Z1/ZA.16145	CONDENSERS, SEMI-FIXED, 715.0	2	2	2	O4
44	O44	Z1/ZA.15417	CONDENSERS, VARIABLE, Y1.H	1	1	1	O6
45	O45	Z1/ZA.26448	CONDENSERS, 0.00003uF 500 V.D.C. wkg. ± 10% No. 1	-	-	3	O12

ITEM No.	PLATE No.	V.A.O.S. SECTION AND CATALOGUE No.	DESIGNATION	No. OFF			SCHEMATIC REFERENCE
				W.S. 22	W.S. 22 XTA	W.S. 22 Mk. 1/1	
46	C46	Z1/ZA.26447	CONDENSERS, 0.00005-uF, 500-V D.C. wkg. ± 2% No.1	-	-	1	C13
47	B47	Z1/ZA.26444	CONDENSERS, 0.000091-uF, 500-V D.C. wkg. ± 2% No.1	1	1	1	C25
48	B48	Z1/ZA.28816	CAPS, VALVE CONNECTION, INSULATED, No.16	4	4	4	
49	B49	Z1/ZA.0828	CAPS, VALVE CONNECTION, SCREENED, No.1	1	1	1	
50	A50	Z1/ZA.15382	CASES, METAL, No.28	1	1	1	
51	N.P. BAC51	Z1/ZA.21147	CHASSIS, METAL, No.44	1	1	1	
52	O52	Z1/ZA.15378	CHOKES, A.F. No.117	1	1	1	L3
53	BAC53	Z1/ZA.12561	CHOKES, FILTER, 1.55-mH, No.1	3	3	-	L1
54	BAB54	Z1/ZA.14480	CHOKES, FILTER, 4.70-uH, No.1	1	1	-	L5
55	O55	Z1/ZA.15377	CHOKES, FILTER, No.6	1	1	-	L2
56	O56	Z1/ZA.30061	INDUCTORS, R.F. 207-uH, No.1	-	-	1	L2
57	BAB57	Z1/ZA.30063	CHOKES, R.F. 4.70-uH, No.1	-	-	1	L5
58	BAC58	Z1/ZA.30062	INDUCTORS, R.F. 1.6-mH, No.1	-	-	3	L1
59	O59	Z1/ZA.21150	CLAMPS, RETAINING, No.14	4	4	4	
60	O60	Z1/ZA.21148	CLAMPS, RETAINING, No.16	1	1	1	
61	O61	Z1/ZA.21805	CLEATS, CONDENSER, No.18	1	1	1	
62	O62	Z1/ZA.38930	CLEATS, METAL, DOUBLE, 5/16-in rad. x 3/8-in STRIP, No.1	1	1	1	
63	O63	Z1/ZA.11833	CLEATS, METAL, DOUBLE, 19/64-in rad. x 3/8-in STRIP, No.1	6	6	6	
64	O64	Z1/ZA.27081	CLEATS, METAL, SINGLE, 3/32-in rad. x 1/4-in STRIP, No.1	2	2	2	
65	O65	Z1/ZA.35801	CLEATS, METAL, SINGLE, 3/16-in rad. x 5/16-in STRIP	1	1	1	
66	BAC66	Z1/ZA.14486	CLEATS, METAL, SINGLE, 1/4-in rad. x 3/8-in STRIP, No.2	10	10	10	
66A	O66A	Z1/ZA.11710	CLEATS, METAL, SINGLE, 11/32-in rad. x 5/8-in STRIP, No.1	1	1	1	
67	O67	Z1/ZA.15395	CLICK PLATES, 2 POSITION, No.4	1	1	1	
68	B68	Z1/ZA.11921	CLIPS, METER SECURING, No.1	1	1	1	
69	B69	Z1/ZA.14477	CLIPS, RETAINING, CRANKED, 7/8-in x 1/4-in, No.1	8	8	8	
70	B70	Z1/ZA.11949	CLIPS, VALVE CONNECTION, No.1	3	3	3	
71	BAB71	Z1/ZA.12297	CLIPS, VALVE CONNECTION, 0.358-in dia., No.2	6	6	6	
72	A72	Z1/ZA.14271	CLIPS, WIRE, BENT, 20-S.W.G., No.1	4	4	4	
73	B73	Z1/ZA.28892	COLLARS, 1/2-in x 1/4-in BORE x 1/4-in WIDE, No.2	-	-	1	
74	A74	Z1/ZA.10339	CONNECTORS, FLEXIBLE, 5-pt., No.2	2	2	-	
75	A75	Z1/ZA.26404	CONNECTORS, FLEXIBLE, 5-pt., No.2 Mk.1/1	-	-	2	
76	A76	Z1/ZA.15403	CONNECTORS, FLEXIBLE, 5-pt., No.5	1	1	1	
77	A77	Z1/ZA.10447	CONTACT ASSEMBLIES, 5-pt. 7/8-in dia., No.1	1	1	-	
78	A78	Z1/ZA.14778	CONTACT ASSEMBLIES, SOCKETS 5-pt., No.5	2	2	-	
79	A79	Y1/ZA.4867	CORDS, 5-CORE, No.1	2	2	-	
80	B80	Z1/ZA.14992	COVERS, SCREENING CAN, No.3	1	1	-	
81	B81	Z1/ZA.37184	COVERS, METAL, 1.5/8-in I.D. x 15/32-in, No.1 Mk.1/1	4	4	4	
82	A82	Z1/ZA.14493	DIAL AND DISC, ASSEMBLIES, CALIBRATED, 2.0-4.5 and 4.5-8.0, No.1	1	1	1	
83	A83	Z1/ZA.15398	DIALS, ENGRAVED, No.17	1	1	1	
84	A84	Z1/ZA.21153	DIALS, ENGRAVED, No.56	1	1	1	
85	A85	Z1/ZA.14494	DRIVES, SLOW MOTION, No.14	2	2	2	
86	A86	Z1/ZA.19753	GROMMETS, SPRING SLEEVES, No.1	2	2	-	
87	A87	Z1/ZA.15384	HANDLES, No.92	1	1	1	
88	A88	Z1/ZA.17374	HANDLES, SET, No.11	2	2	2	
89	O89	Z1/ZA.21152	HOLDERS, VALVE, OCTAL, BRITISH, No.1A	8	8	8	
90	O90	Z1/ZA.39738	HOLDERS, VALVE, 8 PIN, I.O. No.4	5	5	5	
91	A91	Z1/ZA.14524	INDICATORS, METAL, 1.3/4-in x 9/16-in, No.1	3	3	3	
92	B92	Z1/ZA.15376	INDUCTANCES, B.F.O., No.3	1	1	-	L17
93	O93	Z1/ZA.15373	INDUCTANCES, LOCAL OSCILLATOR, No.11	1	1	-	L4
94	O94	Z1/ZA.15374	INDUCTANCES, OSCILLATOR, No.13	1	1	-	L21
95	O95	Z1/ZA.15375	INDUCTANCES, OSCILLATOR, No.14	1	1	-	L18
96	O96	Z1/ZA.28665	INDUCTANCES, OSCILLATOR, No.66	-	-	1	L18
97	O97	Z1/ZA.28666	INDUCTANCES, OSCILLATOR, No.67	-	-	1	L21
98	O98	Z1/ZA.28667	INDUCTANCES, OSCILLATOR, No.68	-	-	1	L4
99	O99	Z1/ZA.16055	INDUCTANCES, R.F. 3.38-uH, No.1	1	1	-	L22
100	O100	Z1/ZA.16056	INDUCTANCES, R.F. 3.58-uH, No.1	1	1	-	L9
101	O101	Z1/ZA.16057	INDUCTANCES, R.F. 9.8-uH, No.1	1	1	-	L10
102	O102	Z1/ZA.16054	INDUCTANCES, R.F. 10.62-uH, No.1	1	1	-	L24
103	B103	Z1/ZA.26402	INDUCTANCES, VARIABLE No.17, Mk.1/1 (for breakdown see items 236 to 269)	1	1	1	
104	O104	Y1/ZA.4394	JACKS, MICROPHONE, No.2	1	1	1	
105	A105	Z1/ZA.14496	KNOBS, METAL, SQUARE, 1.1/2-in x 1/2-in BORE, No.1	2	2	2	
106	A106	Z1/ZA.36124	KNOBS, MOULDED, FLUTED, 1-in dia. x 1/4-in BORE, No.4	2	2	2	
107	A107	Z1/ZA.35884	KNOBS, MOULDED, FLUTED, POINTER TYPE, 1.1/16-in dia. x 1/4-in BORE, No.1	3	3	3	
108	A108	Z1/ZA.12585	KNOBS, MOULDED, FLUTED, POINTER TYPE, 1.11/32-in dia. x 1/4-in BORE, No.1	3	3	3	
109	A109	Z1/ZA.27656	KNOBS, MOULDED, ROUND, 7/16-in dia., No.1	1	1	1	
110	J110	Z1/ZA.24457	KNOBS, MOULDED, ROUND, 11/16-in dia. SPECIAL, No.1	-	1	-	
111	A111	Z1/ZA.35836	KNOBS, MOULDED, ROUND, 1-in dia. x 1/4-in BORE	2	2	2	
112	A112	Z1/ZA.14556	LEVERS, METAL, No.1	2	2	2	
113	A113	Z1/ZN.2133	LOCKING DEVICES, No.8	2	2	2	
114	AAB114	X4/ZA.14511	METERS, TEST, No.4	1	1	1	M1
115	AAB115	X4/ZA.25649	METERS, TEST, No.4T.	-	-	1	M1
116	A116	Z1/ZN.2135	NUTS, KNURLED, LOCKING DEVICES, No.8	2	2	2	
117	AAB117	Z1/ZA.16808	PANELS, FRONT, No.7	1	1	1	
118	B,C, & 118	Z1/ZA.14730	PANELS, TAG, 2 WAY, SINGLE ROW, No.4	4	5	4	
119	BAC119	Z1/ZA.12462	PANELS, TAG, 3 WAY, SINGLE ROW, No.3	5	5	5	
120	O120	Z1/ZA.14736	PANELS, TAG, 4 WAY, SINGLE ROW, No.7	2	2	2	

C.L. No.

ITEM No.	PLATE No.	V.A.O.S. SECTION AND CATALOGUE No.	DESIGNATION	No. OFF			SCHEMATIC REFERENCE	
				W. S. 22	W. S. 22	W. S. 22		
121	B&C121	Z1/ZA. 12699	PANELS, TAG, 5 WAY, SINGLE ROW, No.4	4	4	4		
122	C122	Z1/ZA. 14530	PANELS, TAG, 5 WAY, SINGLE ROW, No.5	1	1	1		
123	B123	Z1/ZA. 16728	PILLARS, MOUNTING, No.42	2	2	2		
124	C124	Z1/ZA. 21154	PILLARS, MOUNTING, No.45	2	2	2		
125	A125	Z1/ZA. 36056	PINS, BELT FIXING, No.1	2	2	2		
126	N.P.	A126	Z1/ZA. 25685	PINS, PARALLEL, STEEL, 0.110-in dia. x 0.25-in	2	2	2	
127	N.P.	A127	Z1/ZA. 30925	PINS, SCREWED, LOCKING DEVICES, No.8A	2	2	2	
128	A128	Z1/ZA. 27658	PLATES, BLANKING 1.15/16-in x 3/4-in OVERALL, No.1	1	1	-		
129	A129	Z1/ZA. 30924	PLATES, CLAMPING, LOCKING DEVICES, No.8A	2	2	2		
130	G130	Z1/ZA. 15383	PLATES, COVER, No.5	1	1	1		
131	A131	Z1/ZA. 15060	PLATES, ESCUTCHEON, No.17	1	1	1		
132	C132	Z1/ZA. 21155	PLATES, INSULATING, No.4	1	1	1		
133	C133	Z1/ZA. 14518	PLATES, METAL, ANGLE, 7-in x 2.3/32-in, No.1	1	1	1		
134	C134	Z1/ZA. 21149	PLATES, METAL, 5/8-in x 3/16-in, No.1	2	2	2		
135	C135	Z1/ZA. 21156	PLATES, SCREENING, No.5A	1	1	1		
136	C136	Z1/ZA. 21157	PLATES, SCREENING, No.26	1	1	1		
137	C137	Z1/ZA. 21158	PLATES, SCREENING, No.27	1	1	1		
138	B138	Z1/ZA. 21160	PLATES, SCREENING, No.28	1	1	1		
139	B139	Z1/ZA. 21159	PLATES, SCREENING, No.29	1	1	1		
140	A140	Z1/ZA. 1853	PLUGS, 5-pt., No.5	1	1	-	FL1	
141	C141	Z1/ZA. 2809	POTENTIOMETERS, min. car. TRACK, 1/4 WATT, LOG, 1 MEGOHM, No.3	1	1	-	R9	
142	C142	Z1/ZA. 15393	POTENTIOMETERS, min. w.w. 1 WATT, LINEAR, 550-ohms, No.3	1	1	1	R28	
143	C143	Z/Z. 530188	RELAYS, MAGNETIC, SM3-HV66	1	1	1	Rel.9	
144	C144	Z/Z. 530189	RELAYS, MAGNETIC, SM3-HV67	1	1	1	Rel.5	
145	C145	Z1/ZA. 15380	RESISTANCES, 2.5-ohms, No.4	1	1	1	R23	
146	C146	Z1/ZA. 18187	RESISTANCES, 10-ohms, No.10	4	1	4	R29 & C.D	
147	C147	Z1/ZA. 15389	RESISTANCES, TAPPED, 860-ohms, No.1	1	1	1	R16	
148	C148	Z1/ZA. 2970	RESISTANCES, tub., 20,000-ohms, No.8	1	1	1	R13	
149	C149	Z1/ZA. 13349	RESISTANCES, VARIABLE, 6-ohms, No.3	1	1	1	R19	
150	B150	Z1/ZA. 15392	RESISTANCES, VARIABLE, 100,000-ohms, No.7	1	1	1	R15	
151	C151	Z1/ZA. 28683	RESISTANCES, VARIABLE, 1-MEGOHM, No.21	-	-	1	R9	
152	C152	Z/Z. 221056	RESISTORS, COMPOSITION, GRADE 2, insul., 1/2-WATT, 39-ohms, + 5%	2	2	2	R2	
153	C153	Z/Z. 222027	RESISTORS, COMPOSITION, GRADE 2, insul., 3/4-WATT, 1500-ohms, + 10%	1	1	1	R22	
154	C154	Z/Z. 222174	RESISTORS, COMPOSITION, GRADE 2, insul., 3/4-WATT, 22,000-ohms, + 10%	2	2	2	R8	
155	B155	Z1/ZA. 22042	RESISTORS, HIGH STABILITY, 1/2-WATT, 29,500-ohms, ± 2% No.2	1	1	1	R24	
156	C156	Z1/ZA. 15411	RESISTORS, No.2A, 1-WATT, 4,700-ohms (10%)	1	1	1	R14	
157	C157	Z1/ZA. 14636	RESISTORS, No.2A, 1/2-WATT, 39,000-ohms (10%)	1	1	1	R20	
158	C158	Z1/ZA. 15414	RESISTORS, No.2A, 1-WATT, 39,000-ohms (10%)	1	1	1	R18	
159	C159	Z1/ZA. 15415	RESISTORS, No.2A, 1-WATT, 68,000-ohms (10%)	1	1	1	R21	
160	C160	Z1/ZA. 15412	RESISTORS, No.2A, 2-WATT, 47,000-ohms (10%)	1	1	1	R12	
161	C161	Z1/ZA. 2022	RESISTORS, No.3A, 1/4-WATT, 220-ohms (10%)	1	2	1	R5	
162	C162	Z1/ZA. 2028	RESISTORS, No.3A, 1/4-WATT, 3,300-ohms (10%)	1	1	1	R6	
163	C163	Z1/ZA. 3421	RESISTORS, No.3A, 1/4-WATT, 10,000-ohms (10%)	4	4	4	R3	
164	C164	Z1/ZA. 3287	RESISTORS, No.3A, 1/4-WATT, 15,000-ohms (10%)	1	1	1	R11	
165	C165	Z1/ZA. 2031	RESISTORS, No.3A, 1/4-WATT, 22,000-ohms (10%)	1	1	1	R17	
166	B, C&J	Z1/ZA. 2034	RESISTORS, No.3A, 1/4-WATT, 47,000-ohms (10%)	5	6	5	R1	
167	B&C167	Z1/ZA. 3831	RESISTORS, No.3A, 1/4-WATT, 100,000-ohms (10%)	11	11	11	R4	
168	B&C168	Z1/ZA. 3833	RESISTORS, No.3A, 1/4-WATT, 1-MEGOHM (10%)	3	4	3	R10	
169	B169	Z1/ZA. 14082	RESISTORS, No.3B, 1/4-WATT, 1.2-MEGOHM (5%)	2	2	2	R25	
170	C170	Z1/ZA. 19263	RESISTORS, No.3D, 1/4-WATT, 470,000-ohms (20%)	2	2	2	R7	
171	A171	Z1/ZA. 14527	SCREWS, CAPTIVE, B.A., STEEL, CHEESE HEAD, No.2, x 3/4-in No.1	4	4	4		
172	A172	Z1/ZA. 14562	SCREWS, SPECIAL, WHITWORTH, BRASS, HEXAGON HEAD, 5/16-in dia. x 3/8-in, 26-t.p.i., No.1	2	2	2		
173	J173	Z1/ZA. 21098	SOCKETS, 2-pt., No.71	-	1	-		
174	A174	Z1/ZA. 2994	SOCKETS, 5-pt., No.5	2	2	-		
175	B175	Z1/ZA. 39676	SPACERS, METAL, 1/8-in I.D. x 1/4-in O.D. x 11/16-in	2	2	2		
176	J176	Z1/ZA. 24458	SPINDLES, EXTENSION, 3.1/2-in, No.1	-	1	-		
177	A177	Z1/ZA. 16788	SPRING AND BRACKET, ASSEMBLIES, No.2	2	2	2		
178	A178	Z1/ZA. 14522	STRIPS, METAL, 1.9/16-in x 5/16-in, No.1	4	4	4		
179	J179	Z1/ZA. 15394	SWITCHES, ON/OFF, D.P. SPRING LOADED, No.1	-	1	-	S6	
180	A&B180	Z1/ZA. 27657	SWITCHES, ON/OFF, D.P. SPRING LOADED, No.3	1	1	1	S6	
181	C181	Z1/ZA. 8724	SWITCHES, ON/OFF, S.P., No.2	1	1	1	S7	
182	B182	Z1/ZA. 5137	SWITCHES, ROTARY DISC, 2 POLE 6 POSITION, No.4	1	1	1	S8	
183	C183	Z1/ZA. 2828	SWITCHES, ROTARY DISC, 3 POLE 3 POSITION, No.1	1	1	1	S1	
184	B&C184	Z1/ZA. 3812	SWITCHES, S.P. CHANGE OVER, No.3	2	2	2	S4	
185	J185	Z1/ZA. 24459	SWITCHES, S.P. CHANGE OVER, No.3B	-	1	-	S10	
186	B&C186	Z1/ZA. 9264	TERMINALS, SPRING LOADED, No.4	3	3	3		
187	B187	Z1/ZA. 11389	TERMINALS, SPRING LOADED, No.4, BUSHES, No.1	3	3	3		
188	B188	Z1/ZA. 36378	TRANSFORMER UNITS R.F., No.1	1	1	1	T1	
189	B189	Z1/ZA. 28648	TRANSFORMERS, I.F., No.87 (for breakdown see items 270 to 274)	2	2	2	L12	
190	B190	Z1/ZA. 28649	TRANSFORMERS, I.F., No.88 (for breakdown see items 275 to 278)	1	1	1	L15	
191	B191	Z1/ZA. 24851	TRANSFORMERS, MICROPHONE, No.12B	1	1	1	T2	
192	B192	Z1/ZA. 14537	TRANSFORMERS, OUTPUT, No.12	1	1	-	T3	
193	B193	Z1/ZA. 26405	TRANSFORMERS, OUTPUT, No.95	-	-	1	T3	
194	C194	Z1/ZA. 28670	TRANSFORMERS, R.F. 22.1/2 TURNS PRIMARY, 21.1/2 TURNS SECONDARY, No.1	-	-	1	L22	

ITEM No.	PLATE No.	V.A.O.S. SECTION AND CATALOGUE No.	DESIGNATION	No. OFF			SCHEMATIC REFERENCE
				W 22	S 22	S 22	
195	C195	Z1/ZA.28663	TRANSFORMERS, R.F. 22.1/2 TURNS PRIMARY, 22 TURNS SECONDARY, No.1	-	-	1	L9
196	C196	Z1/ZA.28668	TRANSFORMERS, R.F. 38.1/2 TURNS PRIMARY, 37.1/2 TURNS SECONDARY, No.1	-	-	1	L24
197	C197	Z1/ZA.28664	TRANSFORMERS, R.F. 38.1/2 TURNS PRIMARY, 38 TURNS SECONDARY, No.1	-	-	1	L10
198	B198	Z1/ZA.28669	TRANSFORMERS, R.F. No.4	-	-	1	L17
199	A199	Z1/ZA.15062	TUBING, RUBBER, 1/8-in	-	-	1	
200			DELETED	-	-	1	
201	B201	Z1/ZA.18569	UNITS, CONDENSER AND DRIVE, No.2A (for breakdown see items 279 to 298)	1	1	-	C1
202	B202	Z1/ZA.14573	UNITS, CONDENSER AND DRIVE, No.3 (for breakdown see items 299 to 313)	1	1	-	C8
203	B203	Z1/ZA.28696	UNITS, CONDENSER AND DRIVE, No.5 (for breakdown see items 299 to 313)	-	-	1	C8
204	B204	Z1/ZA.28697	UNITS, CONDENSER AND DRIVE, No.6 (for breakdown see items 279 to 298)	-	-	1	C1
205	B205	Z/CV.1306	VALVES, ELECTRONIC, CV.1306	2	2	2	V2
206	B206	Z/CV.1054	VALVES, ELECTRONIC, CV.1054	1	1	1	V5
207	B207	Z/CV.1331	VALVES, ELECTRONIC, CV.1331	5	5	5	V1
208	B208	Z/CV.1053	VALVES, ELECTRONIC, CV.1053	1	1	1	V4
209	B209	Z/CV.65	VALVES, ELECTRONIC, CV.65	1	1	1	V3
210	B210	Z/CV.1052	VALVES, ELECTRONIC, CV.1052	3	3	3	V6
211	C211	Z1/ZA.15396	WAFERS SWITCH, 4 POLE, No.4	2	2	2	S2
212	C212	Z1/ZA.15397	WAFERS SWITCH, 4 POLE, No.5	2	2	2	S2
213	C213	Z1/ZA.21163	WASHERS, ASBESTOS, 3/4-in x 1/16-in	1	1	1	
214	A214	Z1/ZA.21162	WASHERS, FELT, 1/4-in HOLE, No.2	1	1	1	
215	C215	Z1/ZA.21161	WASHERS, INSULATION, No.6	1	1	1	
216	A216	Z1/ZA.14327	WASHERS, STEEL, 5/16-in SPECIAL, No.1	2	2	2	
217	N.P.	Not illust	WIRE ELECTRIC, SLIP-BACK, .0006 SINGLE	1	1	1	
218	N.P.	Not illust	WIRE ELECTRIC, SLIP-BACK, .001 SINGLE	1	1	1	
BRACES CARRYING No.1 Mk.II							
219	A219	Z1/ZA.21524	BELTS, WAIST, No.2	1	1	1	
220	A220	Z1/ZA.27917	BRACES, L.H., No.2	1	1	1	
221	A221	Z1/ZA.27916	BRACES, R.H., No.2	1	1	1	
222	N.P.	AA.0374	BUCKLES, BRASS, 1-in	1	1	1	
223	A223	Z1/ZA.12593	HOOKS, FLAT, 1-in	2	2	2	
224	N.P.	AA.1711	STRAPS, SHOULDER, HAVESACK, W.E. PATTERN, '37 LEFT	1	1	1	
225	N.P.	AA.1712	STRAPS, SHOULDER, HAVESACK, W.E. PATTERN, '37 RIGHT	1	1	1	
CARRIERS SET No.10							
226	A226	Z1/ZA.21279	CLIPS, CABLE, 1/4-in, No.3	1	1	1	
227	N.P.	G227	CONNECTORS, COPPER BRAID 4. 1/2-in, No.1	1	1	1	
228	G228	Z1/ZA.10924	CONNECTORS, SINGLE, No.10D	1	1	1	
229	G229	Z1/ZA.21281	FASTENERS, STRAP, No.1	1	1	1	
230	G230	Z1/ZA.10582	PADS, RUBBER, MOULDED, 3.5/16-in x 1.15/16-in x 3/8-in, No.1	4	4	4	
231	G231	Z1/ZA.19826	PADS, RUBBER, 8.1/2-in x 2.1/2-in x 1/4-in, No.1	2	2	2	
232	N.P.	G232	PINS, PARALLEL, STEEL, 3/8-in x 2.5/8-in	1	1	1	
233	G233	Z1/ZA.33012	SHOCK ABSORBERS, BRIDGE, 4.3/8-in x 1.3/8-in x 7/8-in, No.2	4	4	4	
234	N.P.	G234	SPRINGS, STEEL WIRE, No.6	1	1	1	
235	G235	Z1/ZA.15449	STRAPS, SECURING, No.10	1	1	1	
INDUCTANCES VARIABLE No.17 Mk.1/1							
236	B236	Z1/ZA.16482	BRACKET AND BUSH, ASSEMBLIES, No.1	1	1	-	
237	B237	Z1/ZA.37109	BRACKET AND BUSH, ASSEMBLIES No.1 Mk.1/1	-	-	1	
238	B238	Z1/ZA.16494	BRACKET AND BUSH, ASSEMBLIES No.2	1	1	-	
239	B239	Z1/ZA.37110	BRACKET AND BUSH, ASSEMBLIES No.2 Mk.1/1	-	-	1	
240	B240	Z1/ZA.16493	BUSHES, BEARING No.8	1	1	-	
241	B241	Z1/ZA.39654	BUSHES, BEARING No.8 Mk.1/1	-	-	1	
242	G242	Z1/ZA.16481	BUSHES, DIAL STRIKER, No.1	1	1	1	
243	B243	Z1/ZA.21293	CONTACTS, RUNNER, No.1	1	1	1	
244	A244	Z1/ZA.36651	DIAL AND BUSH ASSEMBLIES, CALIBRATED 0-9 No.1	-	-	1	
245	B245	Z1/ZA.16485	DIALS, ENGRAVED, No.33	1	1	-	
246	B246	Z1/ZA.16486	DIALS, ENGRAVED, No.34	1	1	-	
247	A247	Z1/ZA.16487	DIALS, ENGRAVED, No.35	1	1	-	
248	A248	Z1/ZA.15384	HANDLES No.92	1	1	1	
249	B249	Z1/ZA.26403	INDUCTANCES, R.F. 145.5-uH, No.1	1	-	-	
250	B250	Z1/ZA.17064	INDUCTANCES, R.F. 145.5-uH, No.2 (to be used to replace existing "perspex" items only)	1	-	-	
251	B251	Z1/ZA.17065	INDUCTANCES, R.F. 145.5-uH, No.3	1	1	-	
252	B252	Z1/ZA.16488	PLATES, MOUNTING, No.10 (to be used to replace existing "perspex" items only)	1	-	-	
253	B253	Z1/ZA.16489	PLATES, MOUNTING, No.11	1	1	-	
254	B254	Z1/ZA.24845	PLATES, MOUNTING, No.11A	-	-	1	
255	A255	Z1/ZA.37142	SCREWS, SPECIAL, B.A. BRASS, CHEESE HEAD, No.6 x 11/16-in No.1	-	-	1	
256	B256	Z1/ZA.37143	SCREWS, SPECIAL, B.A. STEEL, CHEESE HEAD, No.4 x 7/32-in No.1	-	-	1	

C.L. No.

ITEM No.	PLATE No.	V.A.O.S. SECTION AND CATALOGUE No.	DESIGNATION	No. OFF			SCHEMATIC REFERENCE
				W.S. 22	W.S. 22	W.S. 22	
257	B257	Z1/ZA.16490	SCREWS, SPECIAL, 4 B.A., No. 11	1	1	-	
258	A258	Z1/ZA.19779	SCREWS, STEEL, 6 B.A., SPECIAL, No. 1	1	1	-	
259	A259	Z1/ZA.37141	SLEEVES, HANDLE, BRASS, 3/8-in dia. x 1/2-in No. 1	1	1	1	
260	B260	Z1/ZA.14728	SPRING & CONTACT, ASSEMBLIES, No. 1	1	1	1	
261	B261	Z1/ZA.21297	SPRING & CONTACT, ASSEMBLIES, No. 2	1	1	1	
262	B262	Z1/ZA.37139	SPRINGS, HELICAL, COMPRESSION, 7 TURNS 5/16-in O.D. x 3/4-in FREE LENGTH, 20 S.W.G.	-	-	1	
263	B263	Z1/ZA.16491	SPRINGS, STEEL, 3/4-in x 9/32-in 7 COILS, 20 S.W.G.	1	1	-	
264	B264	Z1/ZA.21306	STRIPS, INSULATING, 8.9/16-in x 3/4-in x 3/16-in No. 1	2	2	2	
265	B265	Z1/ZA.21304	STRIPS, INSULATING, 8.9/16-in x 3/4-in x 3/16-in No. 2	2	2	2	
266	B266	Z1/ZA.21298	STRIPS, METAL 1.7/16-in x 1/4-in No. 1	2	2	2	
267	B267	Z1/ZA.21294	WASHERS, CORK, 7/32-in I.D. x 7/8-in O.D. x 1/32-in THICK, No. 1	1	1	1	
268	B268	Z1/ZA.28681	WHEELS, GENEVA, ENGRAVED 0-9, No. 1	-	-	1	
269	B269	Z1/ZA.28682	WHEELS, GENEVA, ENGRAVED 0-9, No. 2	-	-	1	
TRANSFORMERS I.F. No. 87							
270	B270	Z1/ZA.15055	CANS, SCREENING 1.7/16-in x 1.7/16-in x 3.1/2-in, No. 1	1	1	1	
271	B271	Z1/ZA.1604	CAPACITORS, silvd. MICA protod., 140pF ± 2% 350 V.D.O. wkg., No. 4	2	2	2	0.17
272	B272	Z1/ZA.12297	OLIPS, VALVE CONNECTION, 0.358-in dia. No. 2	1	1	1	
273	B273	Z1/ZA.2187	CORES, IRON DUST, No. 11	2	2	-	
274	B274	Z1/ZA.27426	CORES, IRON DUST, No. 11T	-	-	2	
TRANSFORMERS I.F. No. 88							
275	B275	Z1/ZA.15055	CANS, SCREENING, 1.7/16-in x 1.7/16-in x 3.1/2-in No. 1	1	1	1	
276	B276	Z1/ZA.1604	CAPACITORS, silvd., MICA protod., 140pF ± 2% 350 V.D.O. wkg., No. 4	2	2	2	0.17
277	B277	Z1/ZA.2187	CORES, IRON DUST, No. 11	2	2	-	
278	B278	Z1/ZA.27426	CORES, IRON DUST, No. 11T	-	-	2	
UNITS CONDENSER & DRIVE No. 2A and No. 6							
279	D279	Z1/ZA.14550	ARMS, FLICK CONTROL, No. 1	1	1	1	
280	D280	Z1/ZA.14549	ARMS, FLICK CONTROL, No. 2	1	1	1	
281	D281	Z1/ZA.14548	ARMS, FLICK LOCATING, No. 1	1	1	-	
282	D282	Z1/ZA.37714	ARMS, FLICK LOCATING, No. 1 Mk. 1/1	-	-	1	
283	B283	Z1/ZA.28928	BRACKET & CONDENSER ASSEMBLY, No. 1	-	-	1	
284	D284	Z1/ZA.14554	CAMS, METAL, No. 1	1	1	1	
285	B285	Z1/ZA.21376	CAPACITORS, SEMI-FIXED, 50 + 50pF, max. No. 1	2	2	-	0.5
286	D286	Z/2.12644	CAPACITORS, silvd. MICA, protod., 0.005uF, ± 5% 350 V.D.O. wkg. No. 1	1	1	1	0.28
287	D287	Z1/ZA.16860	CONDENSERS, SEMI-FIXED, 2.75A	1	1	1	
288	D288	Z1/ZA.14555	CIRCLIPS, EXTERNAL, STEEL, 7/64-in GAP, 20 S.W.G.	1	1	1	09
289	D289	Z1/ZA.14557	INDICATORS, FLICK, No. 1	2	2	-	
290	D290	Z1/ZA.37716	INDICATORS, FLICK, No. 1, Mk. 1/1	-	-	2	
291	B & D	Z1/ZA.14730	PANELS, TAG, 2 WAY, SINGLE ROW, No. 4	1	1	1	
292	B & D	Z1/ZA.12462	PANELS, TAG, 3 WAY, SINGLE ROW, No. 3	1	1	1	
293	D293	Z1/ZA.10084	SCREWS, SPECIAL, B.A., STEEL, SHOULDERED, No. 4 x 1.3/4-in No. 1	4	4	-	
294	D294	Z1/ZA.36472	SCREWS, SPECIAL, B.A., STEEL, SHOULDERED, No. 4 x 1.3/4-in No. 2	-	-	4	
295	D295	Z1/ZA.14564	SPRINGS, HAIRPIN TORSION, 1.1/16-in LONG, 1-in FREE WIDTH, 20 S.W.G., No. 1	1	1	1	
296	D296	Z1/ZA.14563	SPRINGS, HELICAL TORSION, 10.1/2 TURNS, 1/4-in O.D. x 1-in RADIAL ENDS, No. 1	1	1	-	
297	D297	Z1/ZA.37715	SPRINGS, HELICAL TORSION, 10.1/2 TURNS, 1/4-in O.D. x 1-in RADIAL ENDS, No. 1 Mk. 1/1	-	-	1	
298	D298	Z1/ZA.14565	SPRINGS, LEAF, 2.1/16-in x 7/32-in x 24 S.W.G., No. 1	2	2	2	
UNITS CONDENSER & DRIVE No. 3 & No. 5							
299	D299	Z1/ZA.14550	ARMS, FLICK CONTROL, No. 1	1	1	1	
300	D300	Z1/ZA.14549	ARMS, FLICK CONTROL, No. 2	1	1	1	
301	D281	Z1/ZA.14548	ARMS, FLICK LOCATING, No. 1	1	1	-	
302	D282	Z1/ZA.37714	ARMS, FLICK LOCATING, No. 1 Mk. 1/1	-	-	1	
303	D303	Z1/ZA.14554	CAMS, METAL, No. 1	1	1	1	
304	D304	Z1/ZA.14555	CIRCLIPS, EXTERNAL, STEEL, 7/64-in GAP, 20 S.W.G.	1	1	1	
305	D305	Z1/ZA.14557	INDICATORS, FLICK, No. 1	2	2	-	
306	D306	Z1/ZA.37716	INDICATORS, FLICK, No. 1 Mk. 1/1	-	-	2	
307	B & D	Z1/ZA.14730	PANELS, TAG, 2 WAY, SINGLE ROW, No. 4	1	1	1	
308	D293	Z1/ZA.10084	SCREWS, SPECIAL, B.A., STEEL, SHOULDERED, No. 4 x 1.3/4-in, No. 1	4	4	-	
309	D294	Z1/ZA.36472	SCREWS, SPECIAL, B.A., STEEL, SHOULDERED, No. 4 x 1.3/4-in, No. 2	-	-	4	
310	D310	Z1/ZA.14564	SPRINGS, HAIRPIN, TORSION, 1.1/16-in LONG, 1-in FREE WIDTH, 20 S.W.G., No. 1	1	1	1	

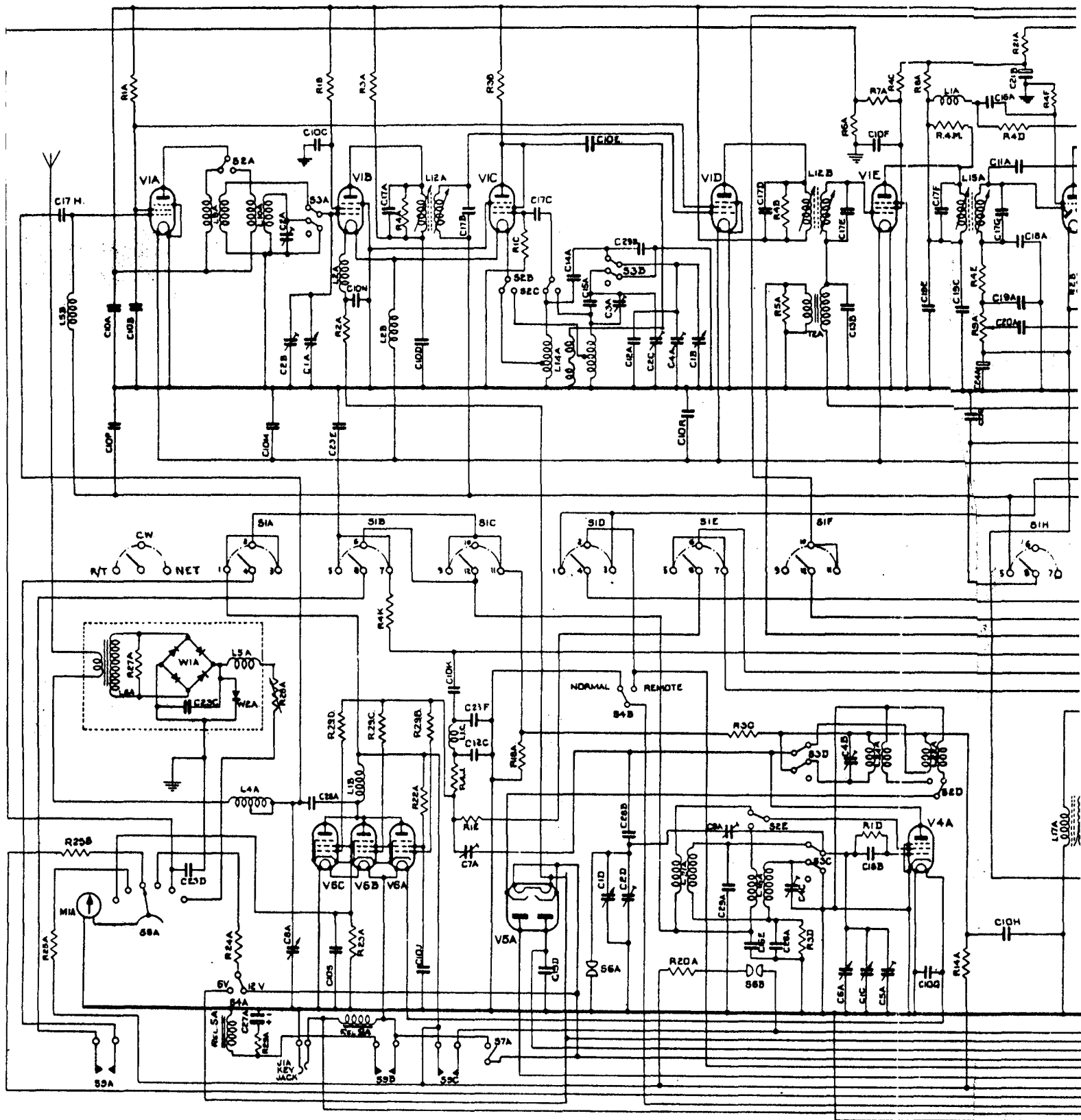
ITEM No.	PLATE No.	V.A.O.S. SECTION AND CATALOGUE No.	DESIGNATION	No. OFF			SCHEMATIC REFERENCE
				W.S. 22	W.S. 22 TOTAL	W.S. 22 Mk 1/1	
311	D311	Z1/ZA.14563	SPRINGS, HELICAL, TORSION, 10.1/2 TURNS, 1/4-in O.D. x 1-in RADIAL ENDS, No. 1	1	1	-	
312	D312	Z1/ZA.37715	SPRINGS, HELICAL, TORSION, 10.1/2 TURNS, 1/4-in O.D. x 1-in RADIAL ENDS, No. 1 Mk. 1/1	-	-	1	
313	D313	Z1/ZA.14565	SPRINGS, LEAF, 2.1/16-in x 7/32-in x 24 S.W.G., No. 1 INDUCTANCE UNITS R.F. No. 7	2	2	2	
314	E314	Z1/ZA.14670	BUSHES, INSULATING, No. 2	1	1	-	
315	E315	Z1/ZA.14671	CAN & BRACKET, ASSEMBLIES, No. 1	1	1	-	
316	E316	Z1/ZA.30063	CHOKES, R.F. 470uH, No. 1	1	1	-	
317	E317	Z1/ZA.24933	COVERS, METAL, 2.5/8-in x 2.1/8-in x 1/4-in No. 1	1	1	-	
318	E318	Z1/ZA.5875	RECTIFIERS, METAL, 5mA	1	1	-	W1
319	E319	Z1/ZA.14609	RECTIFIERS, METAL, S.H.1.A.	1	1	-	W2
320	E320	Z1/ZA.14690	TRANSFORMERS, R.F. No. 7	1	1	-	L8
321	E321	Z1/ZA.21273	WASHERS, INSULATING, No. 9	1	1	-	
322	E322	Z1/ZA.2836	CONDENSERS, R.1., A.H. (0.001uF ± 25%, 350 V.D.C. wkg.)	1	1	-	O.23
323	E323	Z1/ZA.11319	RESISTORS, No. 3A, 1/4 watt, 47 ohms	1	1	-	R27
			NOTE:- Inductance units R.F. No. 7 as a complete unit, has been replaced by Transformer Unit R.F. No. 1 (item 188). The above breakdown will be used to replace necessary items where sets are fitted with Inductance Units R.F. No. 7.				
		C.L. No.					



ITEM No.	PLATE No.	V.A.O.S. SECTION AND CATALOGUE No.	DESIGNATION	No. OFF				SCHEMATIC REFERENCE
				Mk. I	Mk. I/T	Mk. II	Mk. II/T	
		Z1/ZA.14047 Z1/ZA.10478 Z1/ZA.21138 Z1/ZA.25606	POWER SUPPLY UNITS, No. 4 Mk. I OR } Used with W.S. POWER SUPPLY UNITS, No. 4 Mk. I/T OR } 22 and W.S. 22 POWER SUPPLY UNITS, No. 4 Mk. II } crystal POWER SUPPLY UNITS, No. 4 Mk. II/T, USED WITH W.S. 22 Mk. 1/1					IT/B/134416
324	M324	Z1/ZA.39712	BRACKET & LAMPHOLDER, ASSEMBLY, 4.1/2-in x 3.1/8-in x 1-in OVERALL	-	-	-	1	
325	NP	K325	BRACKETS, CONDENSER MOUNTING, No. 24	1	-	-	-	
326	NP	326	BRACKETS, COMPONENT MOUNTING, No. 1	-	-	1	-	
327		L327	BRACKETS, METAL, 4.1/16-in x 2-in x 1.9/16-in, No. 1	-	-	-	1	
328	NP	KAMAP 328	BRACKETS, RECTIFIER MOUNTING, No. 3A	1	1	1	1	
329	NP	P & K 329	BRACKETS, RECTIFIER MOUNTING, No. 4	1	1	1	4	
330		ASKAP 330	BULBS, 12 V.F.	4	4	4	4	
331		L.M. O.P. 331	CAPACITORS, elect. met. tub., 8uF., + 50 - 20% 375 V.D.C. wkg., No. 1	3	3	3	3	C1
332		L & O 332	CAPACITORS, elect. met. tub., 250uF + 50 - 20%, 250 V.D.C. wkg., No. 1	-	-	1	1	C8
333		L & O 333	CAPACITORS, mlded MICA, stked. FOLL, .001uF, ± 10% 350 V.D.C. wkg. No. 4	-	-	3	3	C7
334		K.L.O. 334	CAPACITORS, mlded. MICA, stked. FOLL, 0.01uF., ± 15% 1000 V.D.C. wkg. No. 1	1	1	1	1	C4
335		R335	CASES, CARRYING, METAL No. 4	-	-	-	1	
336		A336	CASES, METAL, No. 29	1	-	-	-	
337		A & R 337	CASES, METAL, No. 29A	-	1	1	-	
338		M338	CHANNELS, SPARE VIBRATOR, 3.1/4-in x 1.1/2-in x 1.1/2-in No. 1	-	-	-	1	
339	NP	K339	CHASSIS, METAL, No. 45	1	1	-	-	
340	NP	P340	CHASSIS, METAL, No. 45A	-	-	1	-	
341		K & O 341	CHOKES, A.F. No. 118	1	1	1	-	L3
342		K & O 342	CHOKES, A.F. No. 119	1	1	1	-	L4
343		P343	CHOKES, A.F. No. 200	-	-	1	-	L7
344		K344	CHOKES, A.F. No. 203	-	-	-	1	L4
345		L345	CHOKES, A.F. No. 204	-	-	-	1	L3
346		M346	CHOKES, A.F. 10mH, No. 1	-	-	-	1	L7
347		O347	CHOKES, FILTER, No. 6	-	-	1	-	L6
348		O & P 348	CHOKES, FILTER, No. 13	-	-	3	-	L5
349		K349	CHOKES, R.F. 60 TURNS, No. 3	2	2	-	-	L1
350		L.M. 350	CHOKES, R.F. 8.4uH, No. 1	-	-	-	3	L5
351		L351	INDUCTORS, R.F. 207uH No. 1	-	-	-	1	L6
352		L352	CLAMP & BUSH, ASSEMBLIES, CAPACITOR, 1.3/8-in dia. No.1	-	-	-	2	
353		K.L.O. 353	CLAMPS, CAPACITOR, HORIZONTAL MOUNTING, 1.25/64-in dia. No. 1	2	2	3	1	
354		K.M.P. 354	CLAMPS, CAPACITOR, VERTICAL MOUNTING, 1.3/8-in dia. No.1	1	1	1	1	
355		L.M. O.P. 355	CLEATS, CONDENSER, No. 3	-	-	3	3	
356		L.O. 356	CLEATS, METAL, DOUBLE, 19/64-in rad. x 3/8-in STRIP, No. 1	-	-	1	1	
357		K357	CLEATS, METAL, SINGLE 11/32-in rad. x 5/8-in STRIP, No. 2	3	3	-	-	
358	NP	K.R. 358	CLIPS, CABLE, 1/4-in No. 3	1	1	1	1	
359		P.K.39	CLIPS, VIBRATOR RETAINING, No. 1 Mk. 1/1	-	-	-	1	
360		M360	CLIPS, VIBRATOR RETAINING, No. 1	1	1	1	-	C2 or C5
361		K.M.P. 361	CONDENSERS, R.5.E. (.005uF, 10% 500 V.D.C. wkg.)	1	1	1	1	C2A OR C5A
362		K.L.O. 362	CONDENSERS, P.I.B.T. (0.1uF, 20% 350 V.D.C. wkg.)	-	-	-	-	
363			DELETED					
364		A & L 364	CONNECTORS, FLEXIBLE, 5 POINT No. 4 Mk. 1/1	1	1	1	1	
365		O.K.L. 365	CONNECTORS, SINGLE, No. 10D	1	1	1	1	
366	NP	366	COVERS, PROTECTING, No. 2	1	1	1	-	
367		L367	COVERS, METAL, 4.1/2-in x 2.3/8-in x 1.5/8-in No. 1	-	-	-	1	
368	NP	O368	COVERS, SCREENING, 3.3/4-in x 2-in x 1.1/2-in, No. 1	-	-	1	-	
369	NP	O369	DOMALAC, STRIP 2-in	a	a	a	a	
370	NP	Not illu	FUSE WIRE, COPPER, TINNED, No. 34 S.W.G., CARRYING 5 amps, fusing 9 amps, approx.	a	a	a	a	
371	NP	Not illu	GRILLS, PROTECTING, 5.3/4-in x 8.3/4-in x 3.1/4-in, No. 1	-	-	-	1	

ITEM No.	PLATE No.	V.A.O.S. SECTION AND CATALOGUE No.	DESIGNATION	No. OFF				SCHEMATIC REFERENCE	
				Mk. I	Mk. I/I	Mk. II	Mk. II/I		
372	NP	A.R. 372	Z1/ZA.15408	HANDLES, SET, No. 7	1	1	1	1	
373		P.K.N. 373	Z1/ZA.15418	HOLDERS, FUSE, No. 1	1	1	1	1	
374		M.K.P. 374	Z1/ZA.15419	HOLDERS, FUSE, No. 1 BASES	1	1	1	1	
375		M.K.P. 375	Z1/ZA.15420	HOLDERS, FUSE, No. 1 CARRIERS	1	1	1	1	
376		A.R. 376	Z1/ZA.4201	HOLDERS, LAMP, No. 1	1	1	1	1	
377		A.R. 377	Z1/ZA.9254	HOLDERS, LAMP, No. 1 COVERS, FRONT, RED	1	1	1	1	
378		M.K.P. 378	Z1/ZA.10750	HOLDERS, VALVE, 4 PIN AMERICAN No. 4	1	1	1	1	
379		A.R. 379	Z1/ZA.4250	HOLDERS, WATCH	1	1	1	1	
380	NP	K380	Z1/ZA.16053	PANELS, FRONT, No. 42	1	1	-	-	
381	NP	R381	Z1/ZA.25620	PANELS, FRONT, No. 42A	-	-	1	-	
382	NP	R382	Z1/ZA.28680	PANELS, FRONT, METAL, 7.23/32-in x 5.27/32-in No. 1	-	-	-	1	
383		L.O. 383	Z1/ZA.14529	PANELS, TAG, 2 WAY, SINGLE ROW, No. 3	-	-	1	1	
384		O384	Z1/ZA.12462	PANELS, TAG, 3 WAY, SINGLE ROW, No. 3	-	-	1	-	
385		K.O. 385	Z1/ZA.12699	PANELS, TAG, 5 WAY, SINGLE ROW, No. 4	1	1	2	2	
386		R386	Z1/ZA.28131	PLATES, AERIAL SETTING No. 1	1	1	1	1	
387		R387	Z1/ZA.28132	PLATES, AERIAL SETTING No. 2	1	1	1	1	
388		R388	Z1/ZA.28719	PLATES, CALIBRATION, No. 3	1	1	1	1	
389	NP	K389	Z1/ZA.21275	PLATES, SCREENING, No. 31	1	1	-	-	
390	NP	O390	Z1/ZA.25624	PLATES, SCREENING, 4-in x 2-in x 1.1/2-in, No. 1	-	-	1	-	
391		P & K 391	Z1/ZA.11200	PLUGS, 2 POINT, No. 10	1	1	1	-	
392		M392	Z1/ZA.32807	PLUGS, 2 POINT, No. 10 Mk. 1/1	-	-	-	1	
393		M.P.K. 393	Z1/ZA.15406	RECTIFIERS, SELENIUM, No. 38 OR	4	4	-	-	MR.1A B.C.D.
394		M.P.K. 394	Z1/ZA.22843	RECTIFIERS, SELENIUM, 4C/82 (see illust. H)	4	4	4	4	
395		P.K.O. 395	Z/Z.221030	RESISTORS, COMPOSITION, GRADE 2, insul. 3/4-watt, 22 ohms ± 20%	1	1	1	1	R1
396		K.O. 396	Z1/ZA.21428	RESISTORS, No. 2A, 1/2 watt, 270 ohms	2	2	2	-	R2
397		L.K.O. 397	Z1/ZA.14582	SCREWS, CAPTIVE, B.S.F. STEEL, FILISTER HEAD, 5/16-in dia. x 3/4-in No. 1	1	1	1	1	
398	NP	K398	Z1/ZA.15405	SHROUDS, TRANSFORMER, No. 2	1	1	1	-	
399		P.399	Z1/ZA.12934	SOCKETS, PANEL, 2 POINT, No. 1	1	1	1	1	
400		N.P. 400	Z1/ZA.28861	SWITCHES, ON/OFF, D.P. No. 41	1	1	1	1	S.W.1.
401		M401	Z1/ZA.15399	TRANSFORMERS, VIBRATOR, No. 8	1	1	1	-	T.R.1.
402		M402	Z1/ZA.28650	TRANSFORMERS, VIBRATOR, No. 22	-	-	-	1	T.R.1.
403		R403	Z1/ZA.3231	VIBRATORS, No. 5	1	1	1	-	VB.1
404		M404	Z1/ZA.29586	VIBRATORS, No. 5T	-	-	-	1	VB.1

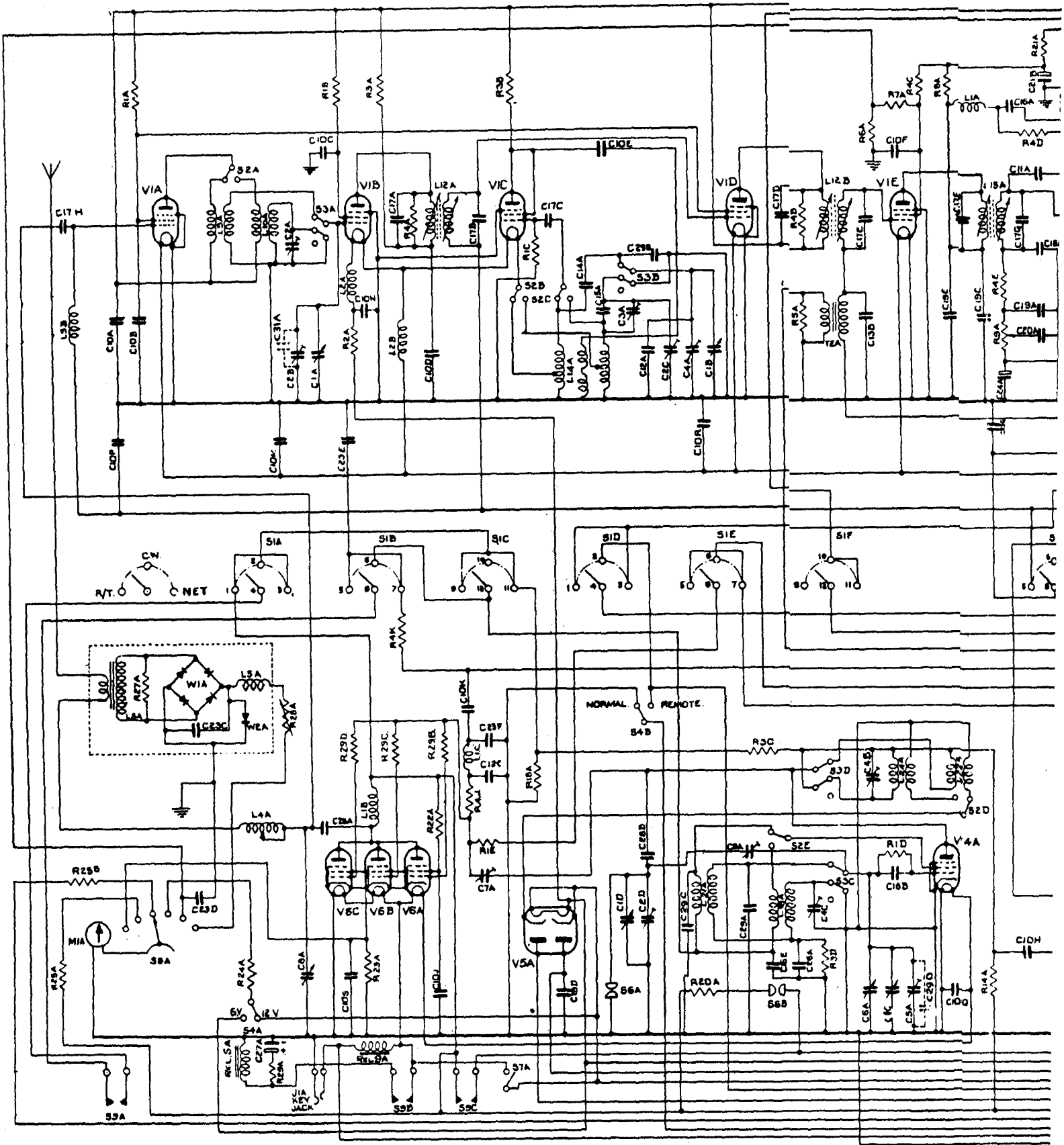
C.L. No.







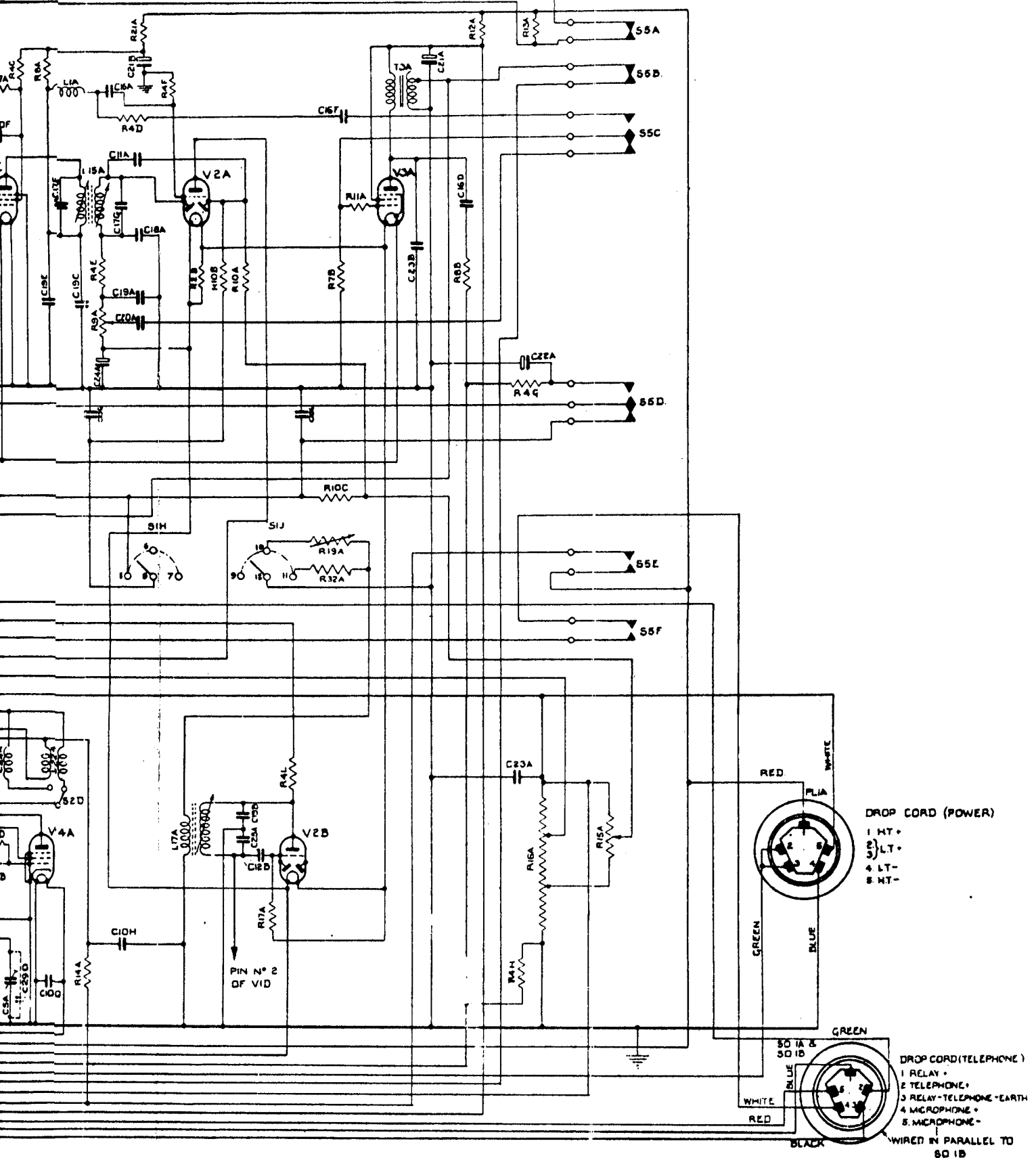




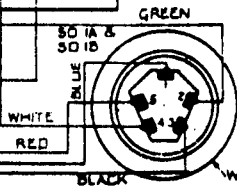
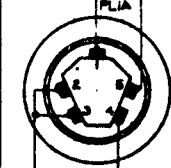
WIRELESS SETS, No.







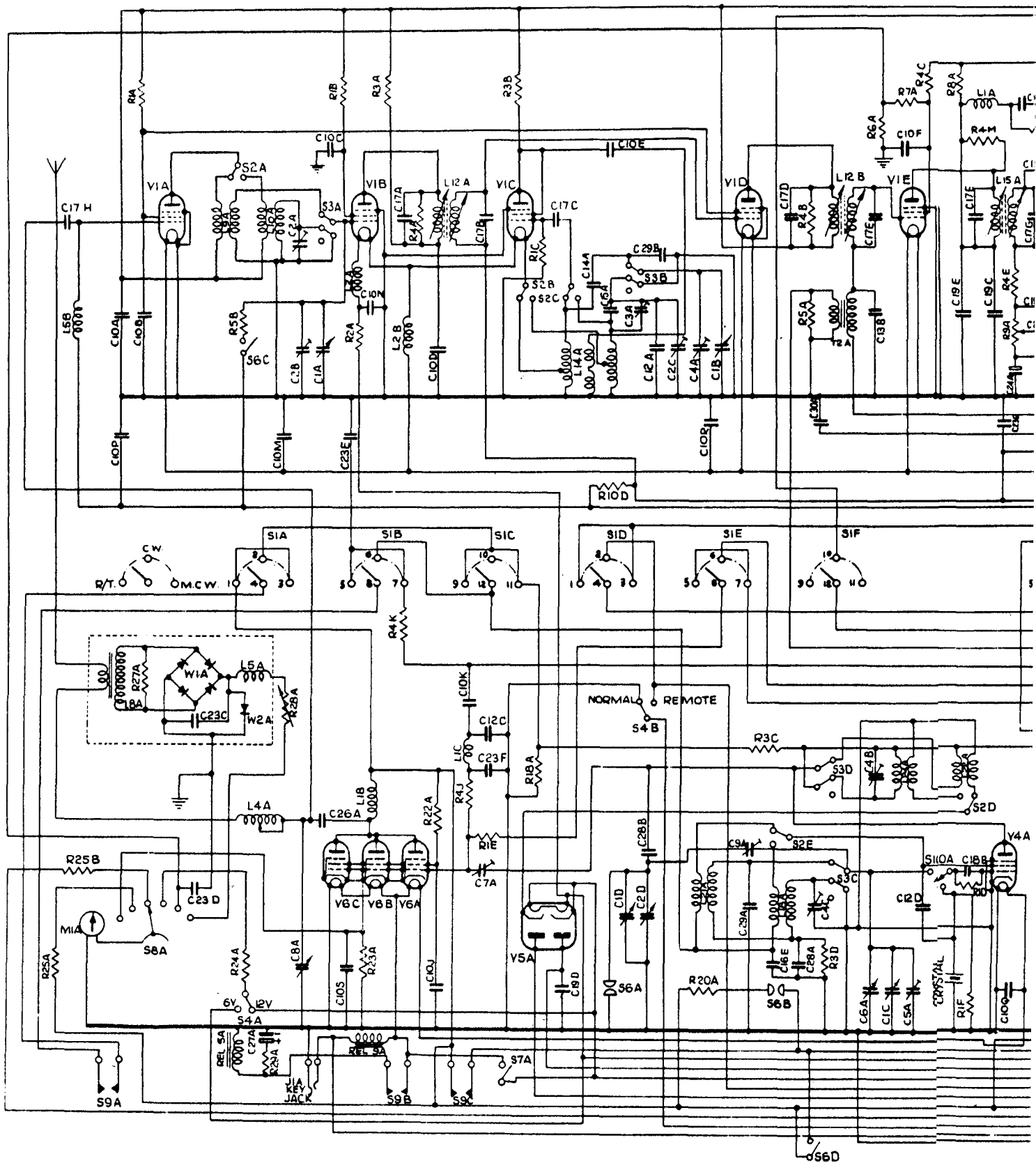
DROP CORD (POWER)  
 1 HT+  
 2 LT-  
 3 LT-  
 4 LT-  
 5 HT-



DROP CORD (TELEPHONE)  
 1 RELAY  
 2 TELEPHONE  
 3 RELAY-TELEPHONE-EARTH  
 4 MICROPHONE  
 5 MICROPHONE-EARTH  
 WIRED IN PARALLEL TO  
 50 IB

SETS, No.22. MK.I/I.











# POWER SUPPLY UNITS, № 4, MK.I, M

## NOT REQUIRED ON MK.I. & MK.I/I.

C6A, C6B, C6C, C6D, C7A, C7B, C8A,  
L5A L5B L6A L7A

SWIA SWIB

CONNECTION OF L3A & L4A CORES  
TO HT+325V

NOTE: ON MK.I, & MK.I/I. READ C2A FOR C5A,  
C3C FOR C7C AND L1B FOR L5C.

## NOT REQUIRED ON MK2.

C3A, C3B

L1A.

SWIA\* SWIB\*

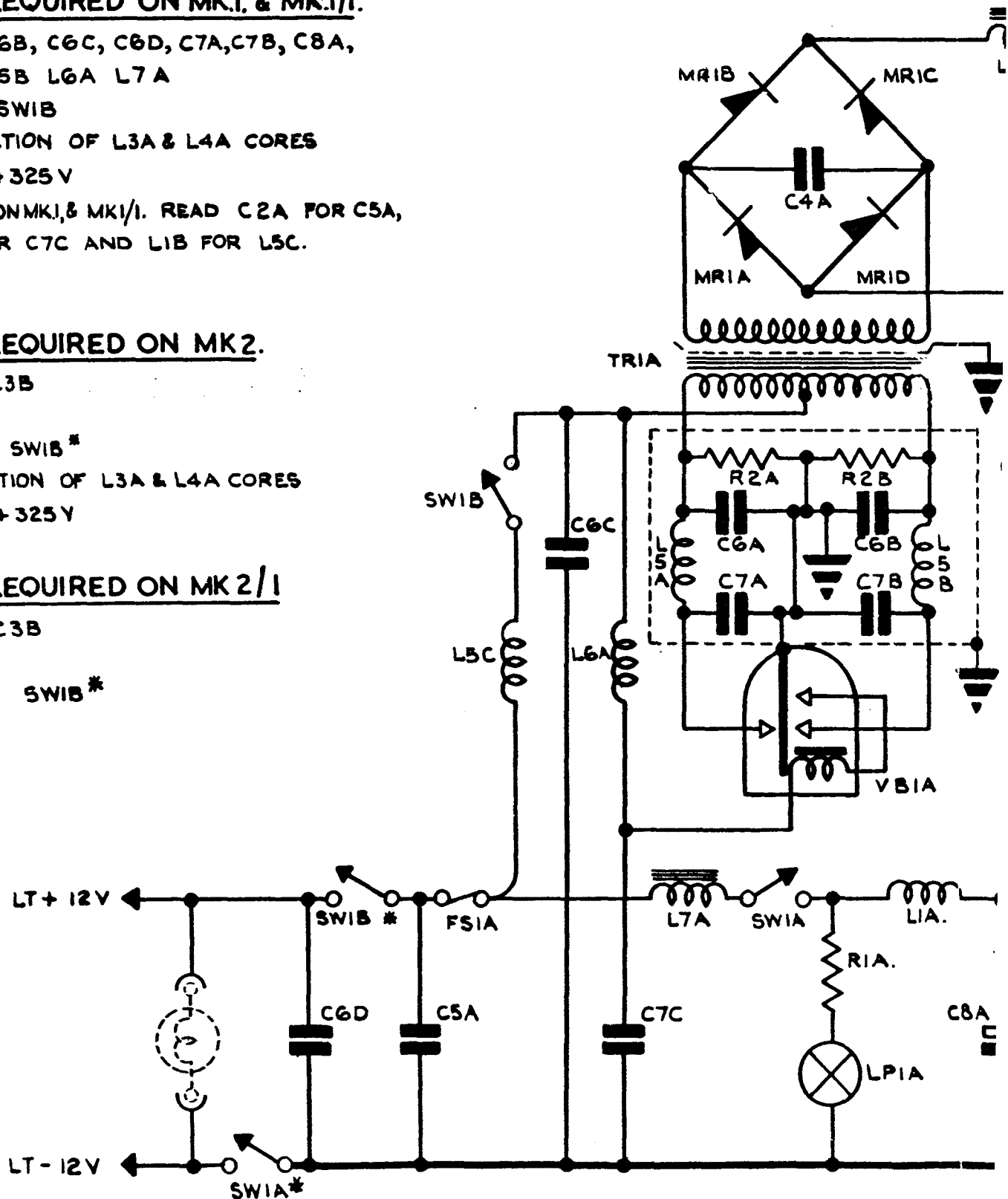
CONNECTION OF L3A & L4A CORES  
TO HT+325V

## NOT REQUIRED ON MK 2/I

C3A, C3B

L1A.

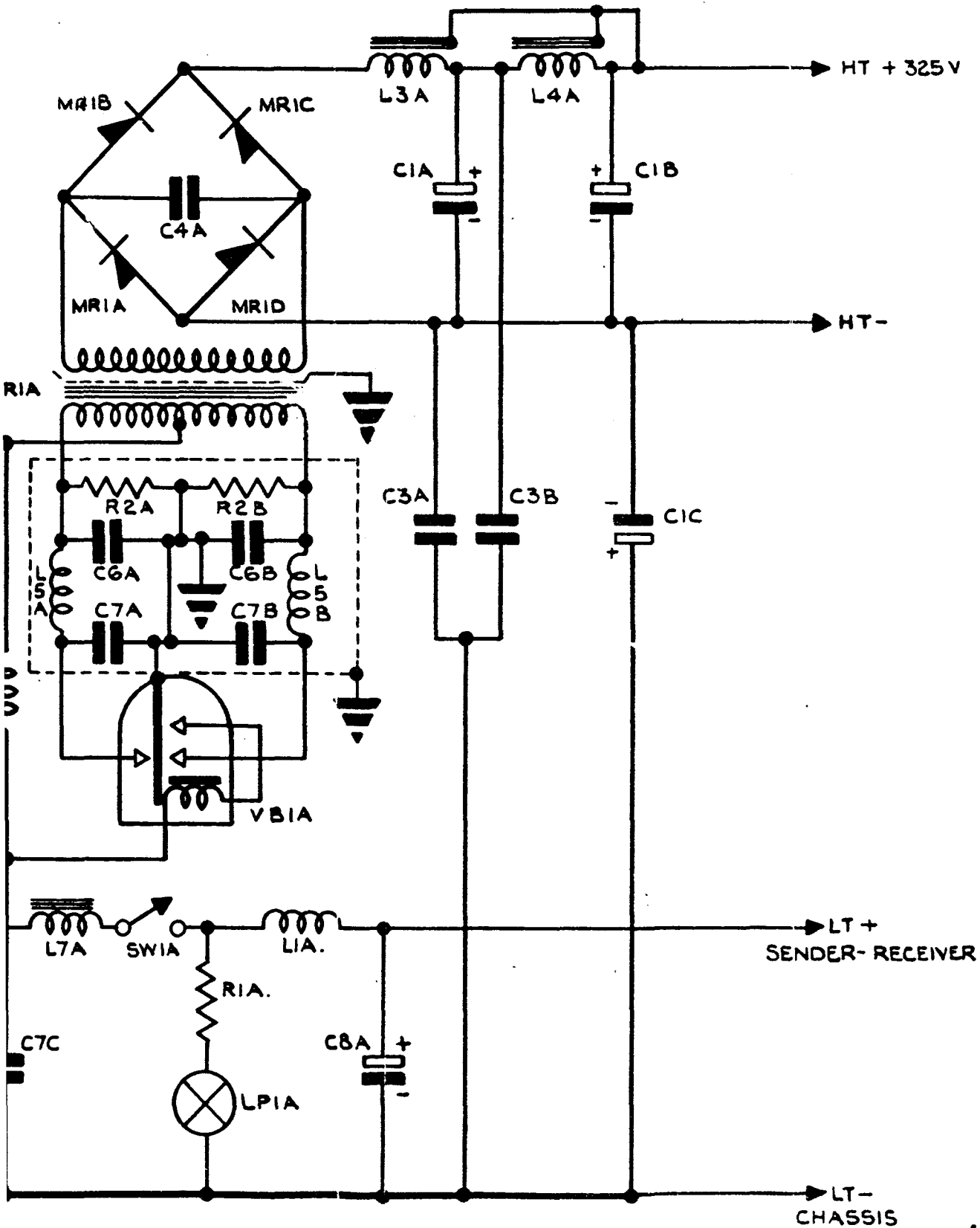
SWIA\* SWIB\*







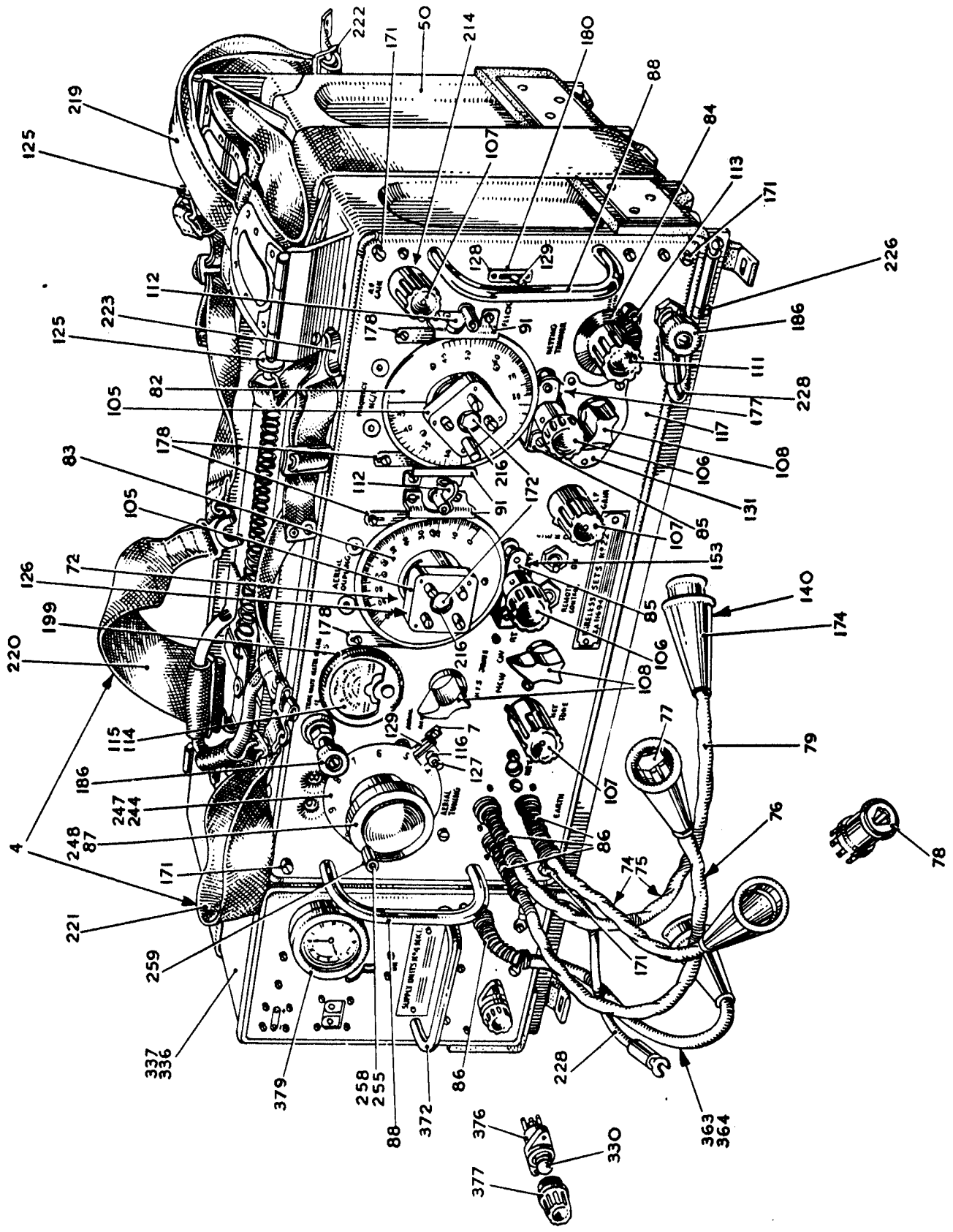
UNITS, № 4, MK.1, MK.1/1, MK 2. & MK 2/1.



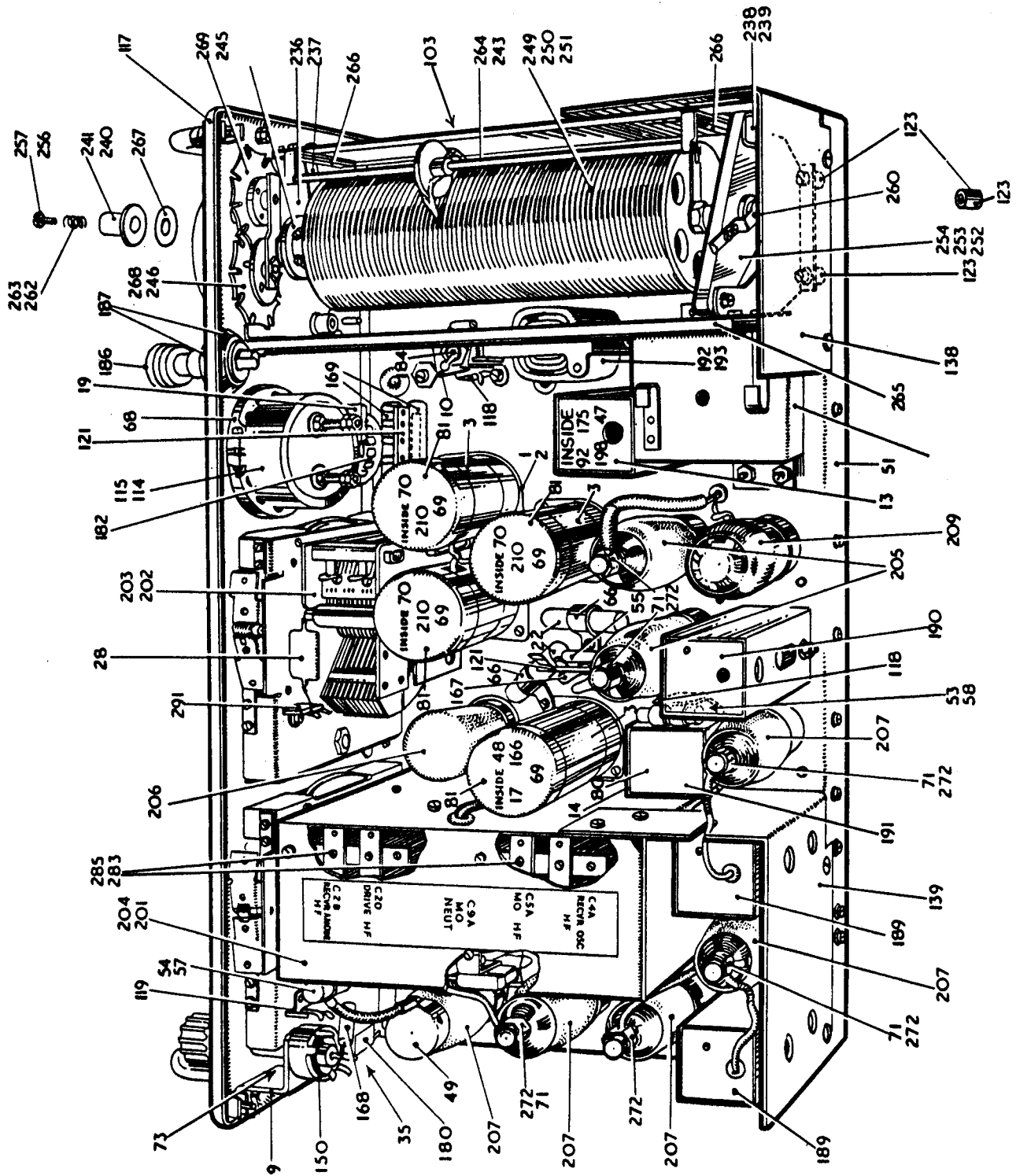


A

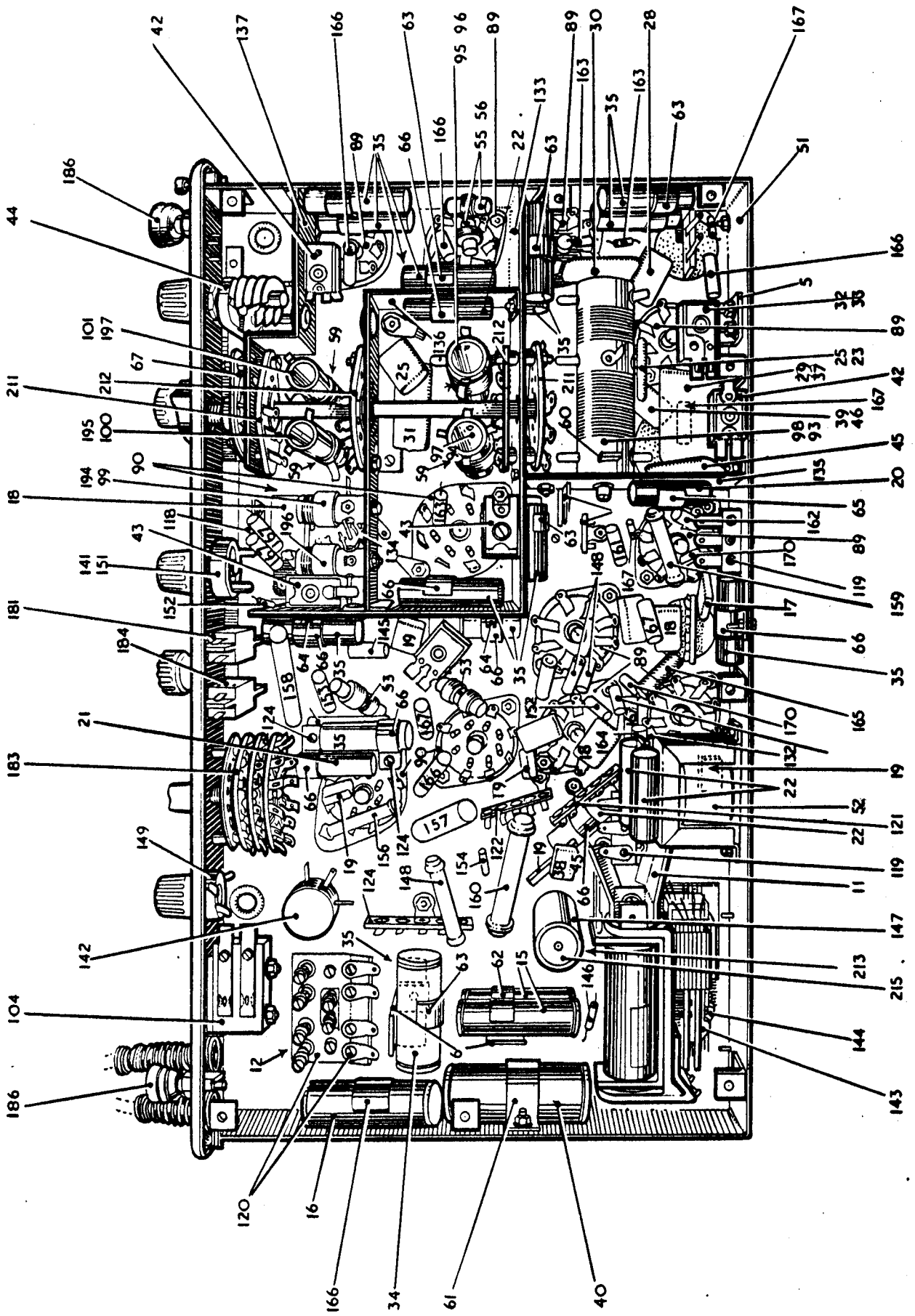
A



WIRELESS SET. No 22.



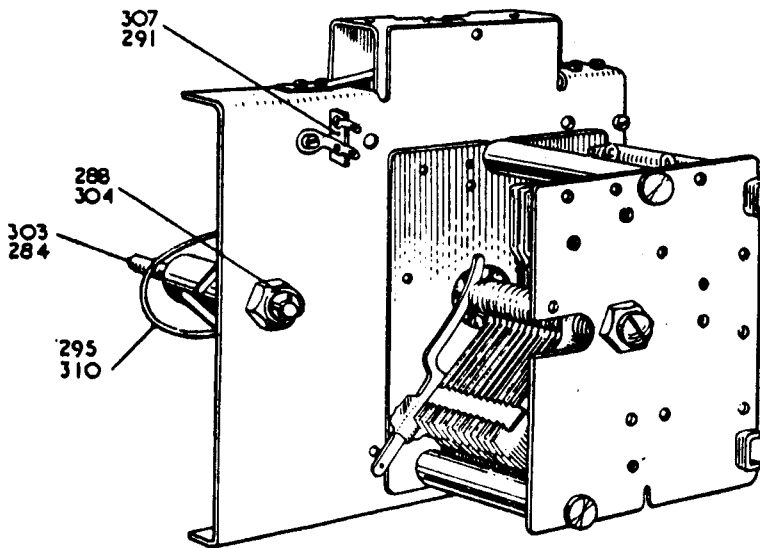
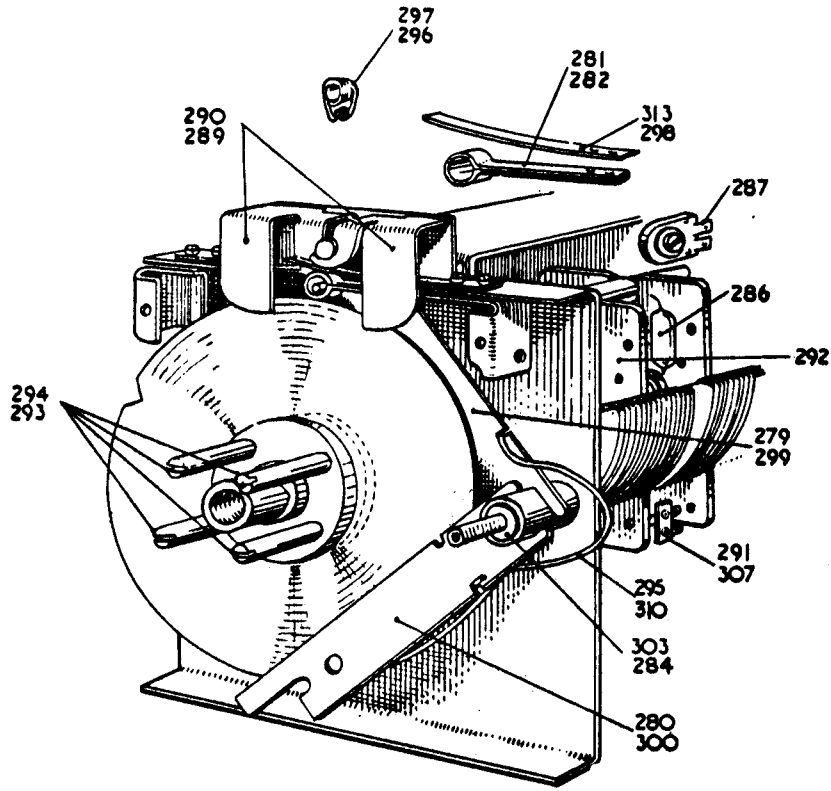
TOP VIEW



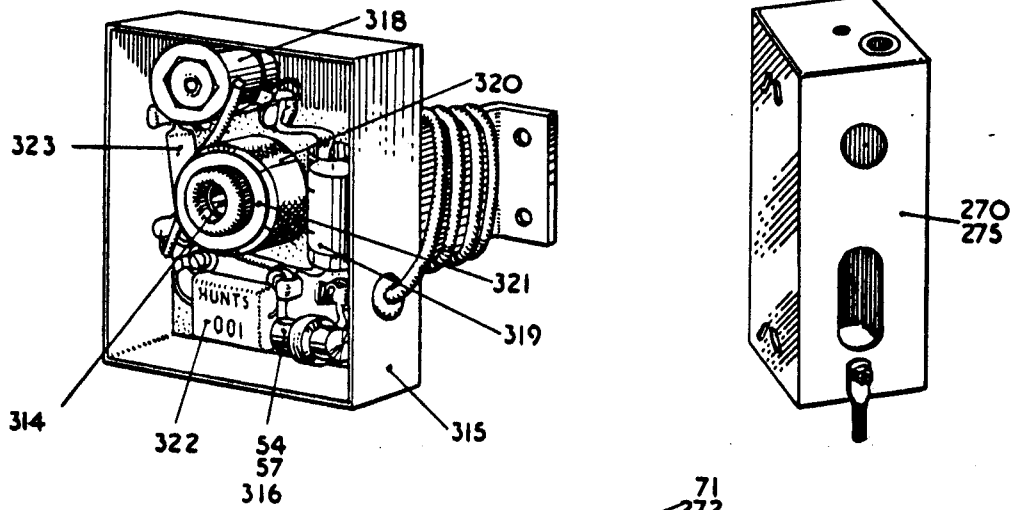
UNDER VIEW

D

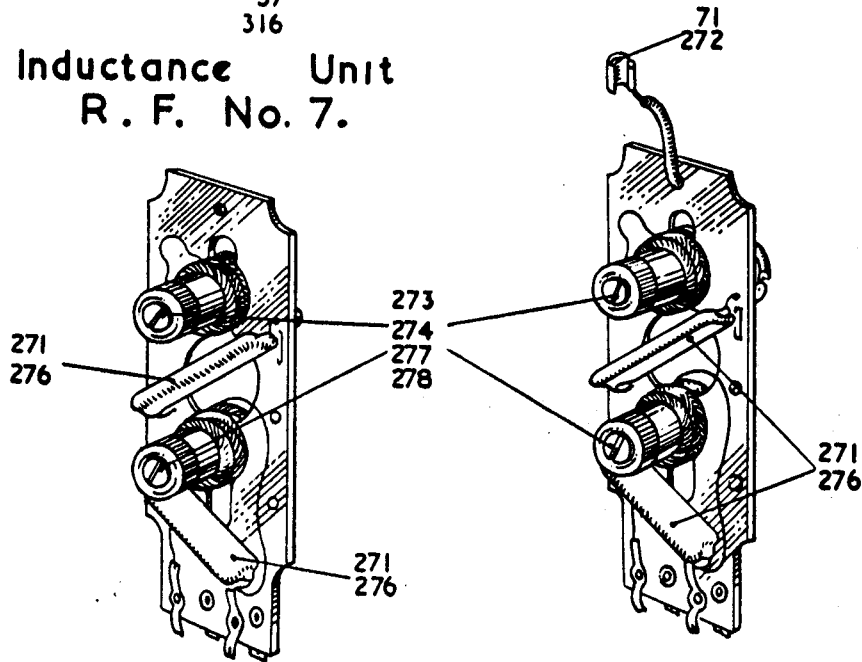
D



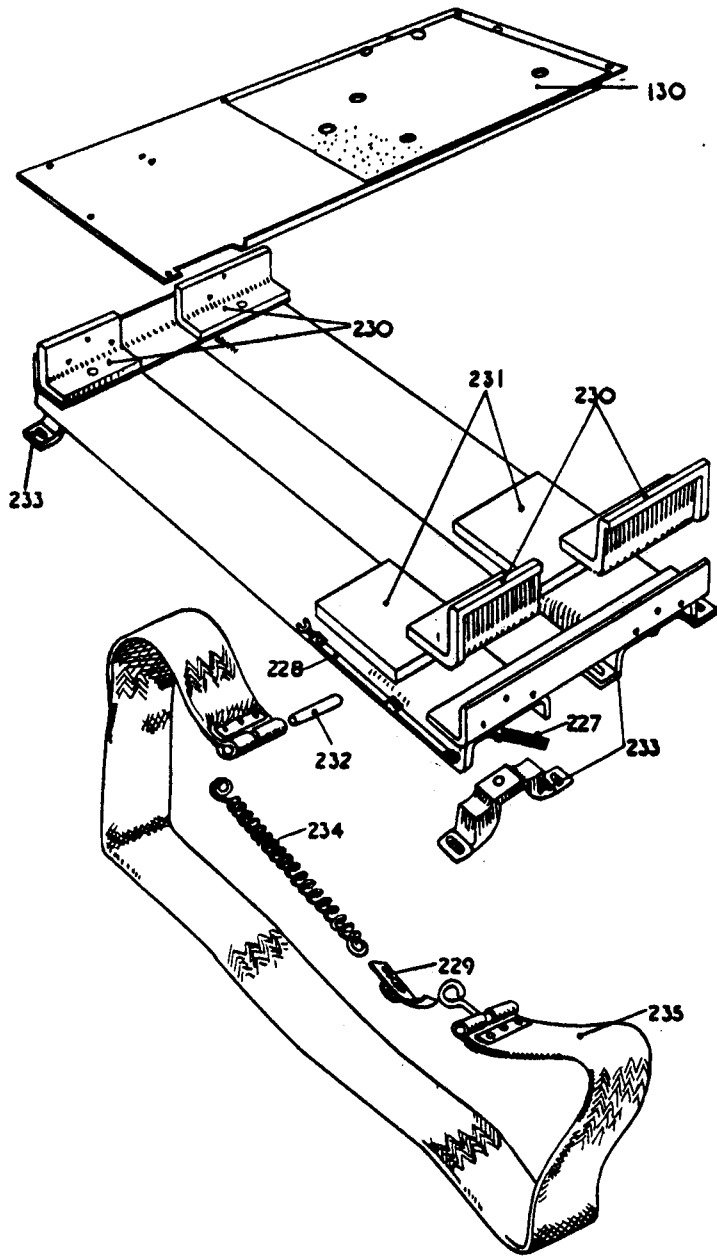
UNITS CONDENSER & DRIVE



Inductance Unit  
R. F. No. 7.

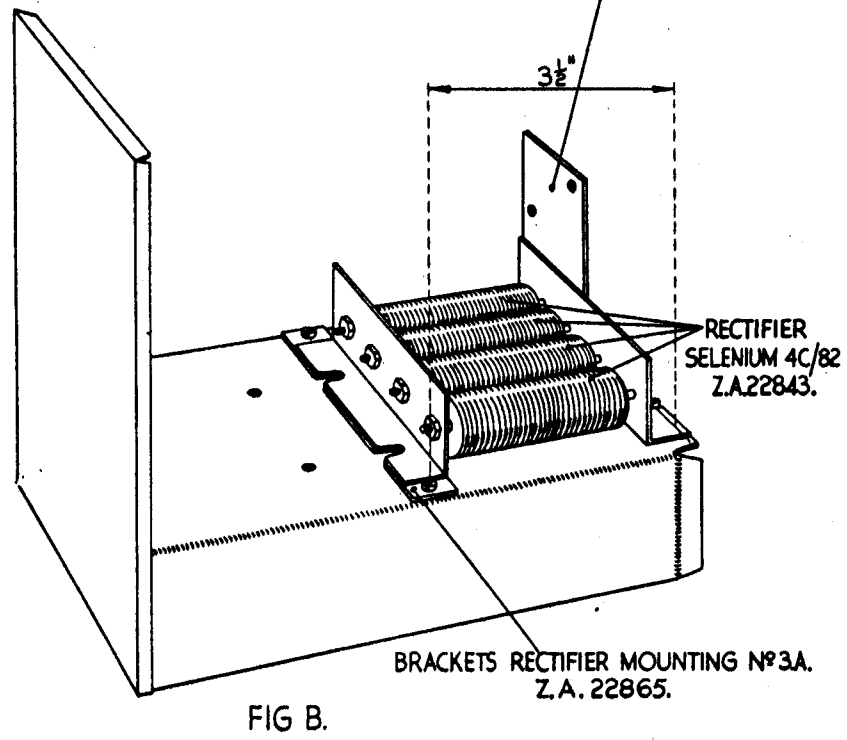
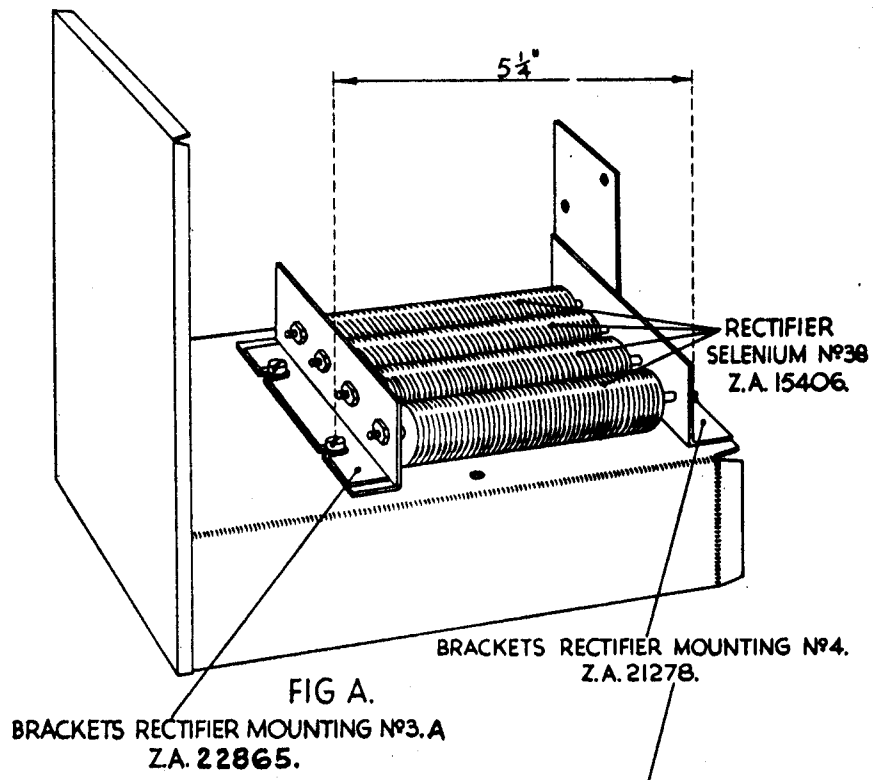


Transformers. I. F.



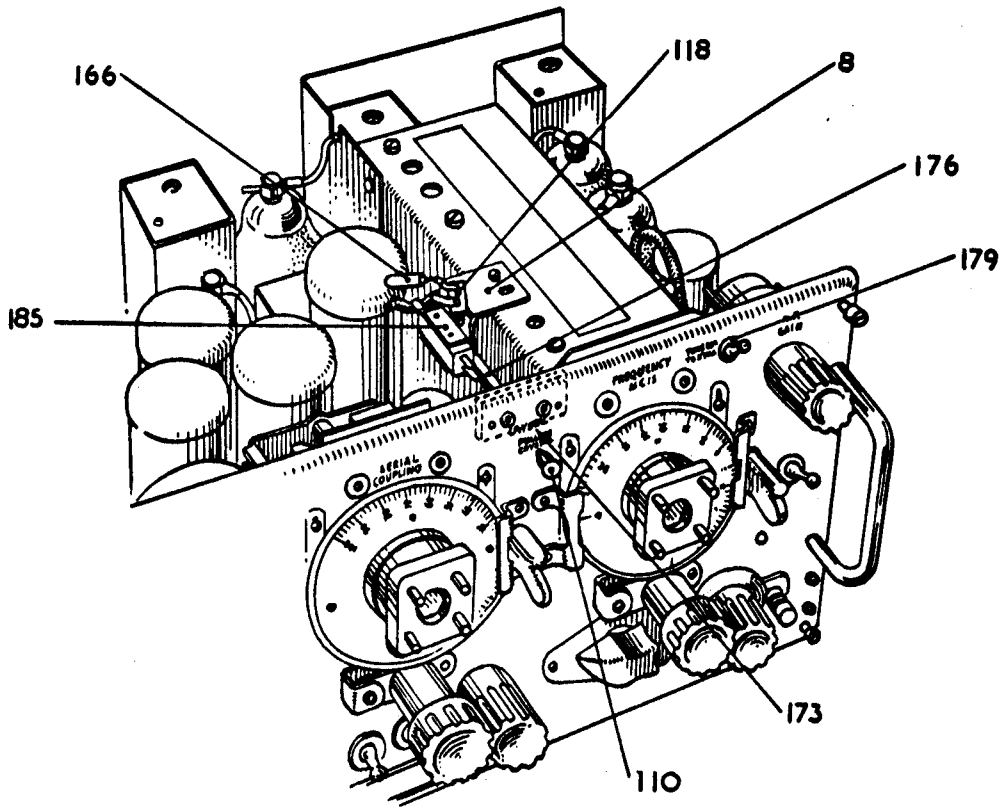
CARRIER SET.



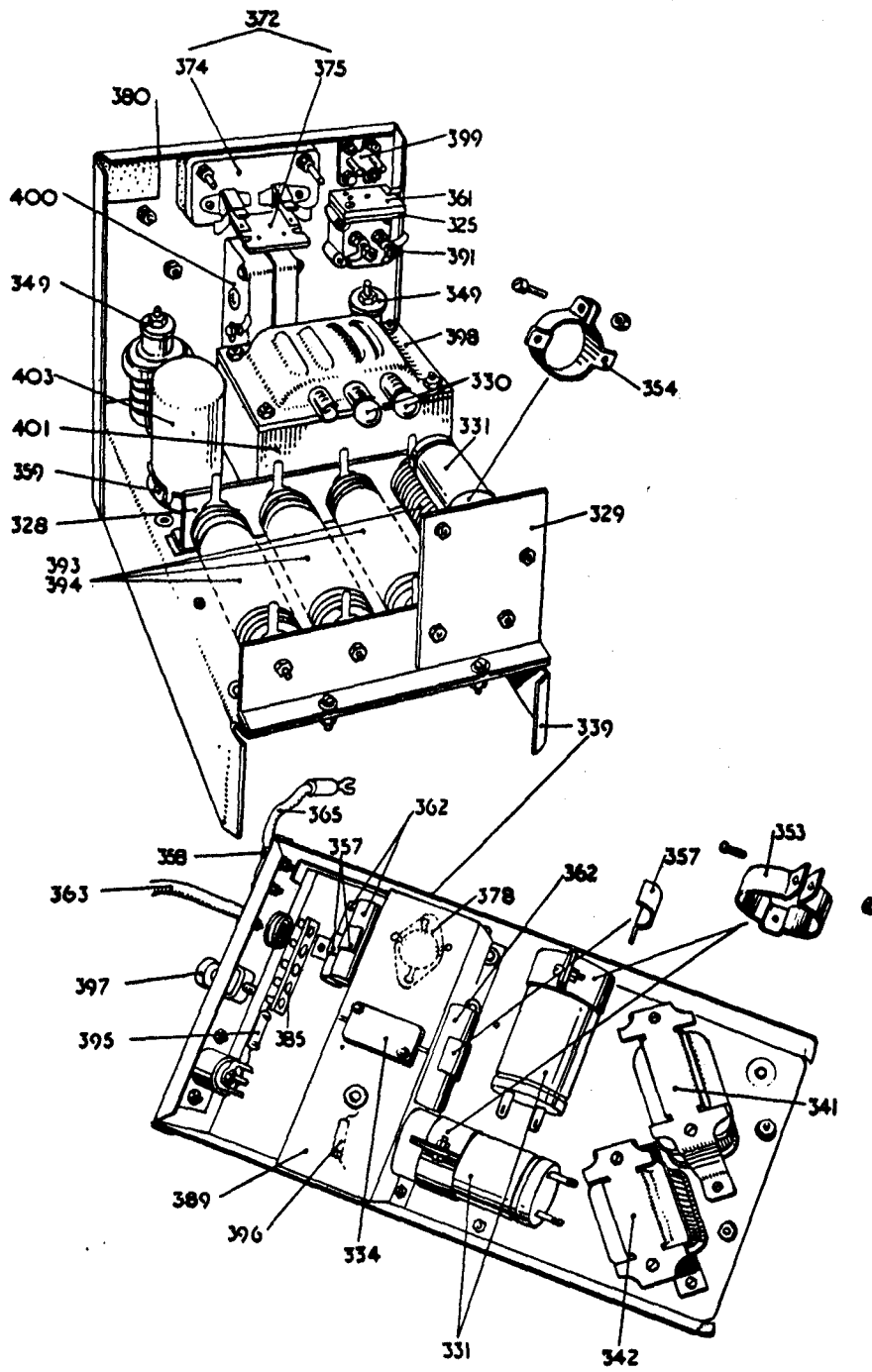


J

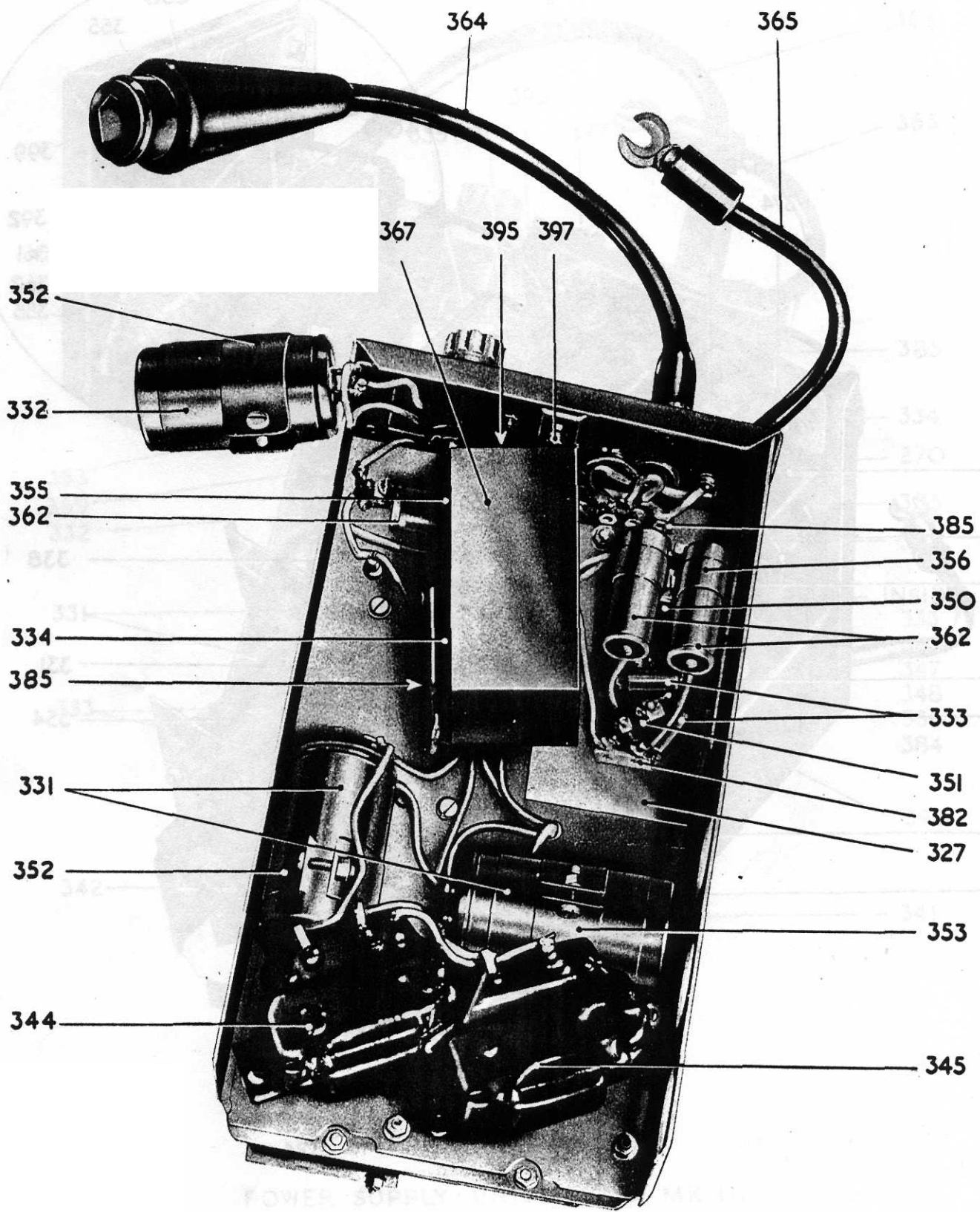
J



ADDITIONAL ITEMS FOR  
WIRELESS SET 22 CRYSTAL



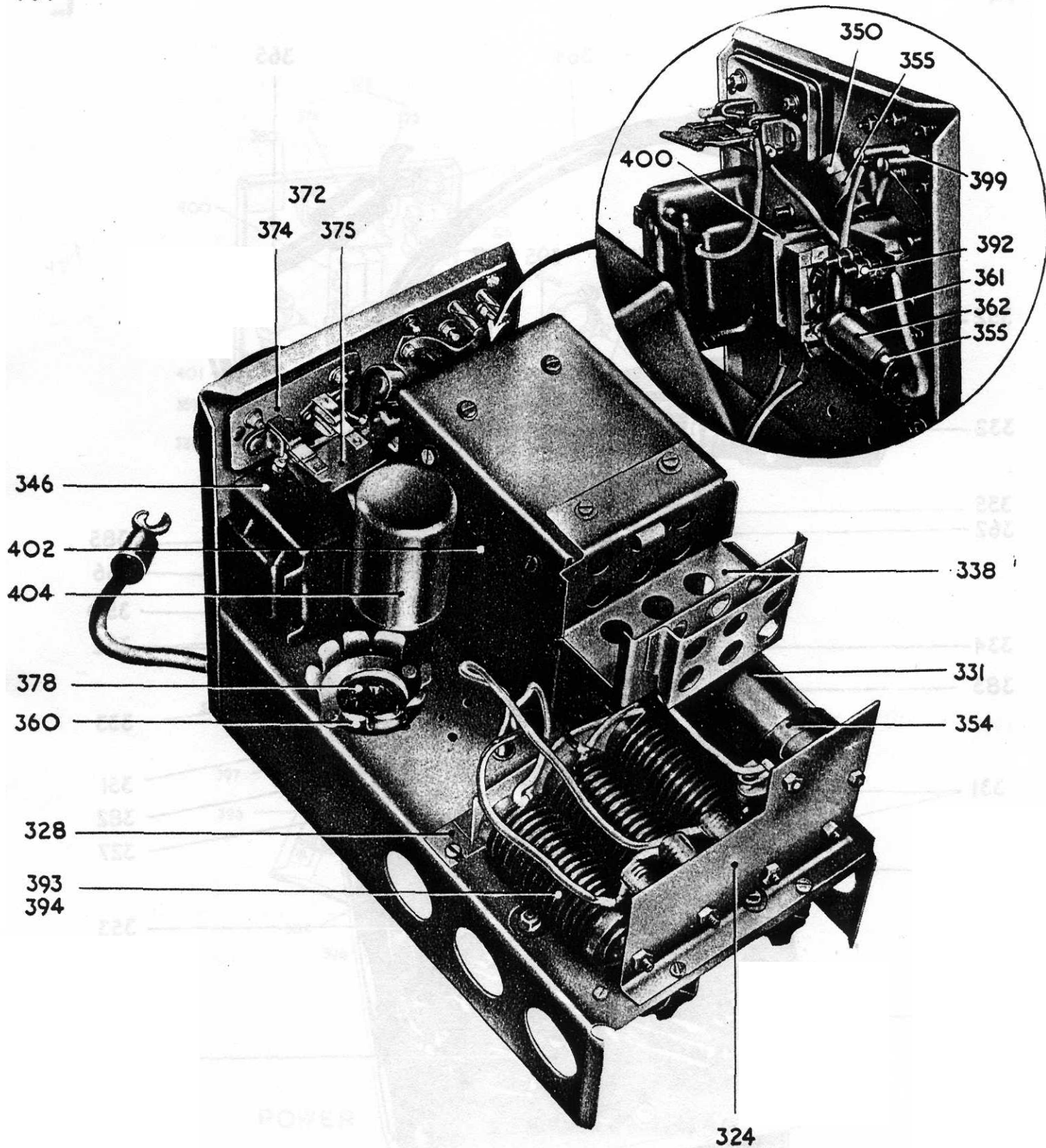
POWER SUPPLY UNITS. No.4.



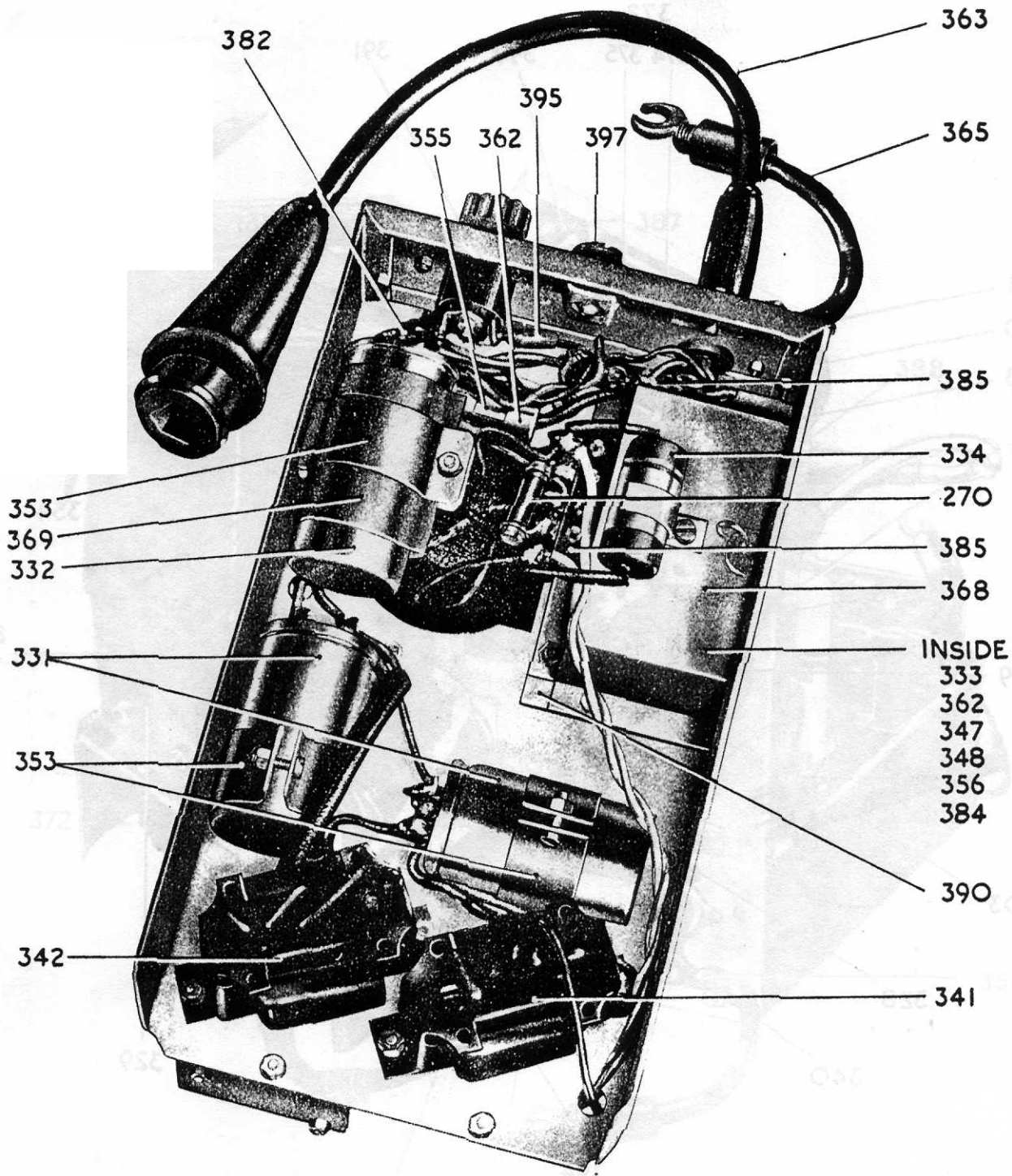
POWER SUPPLY UNITS No. 4 MK.II/I.

M

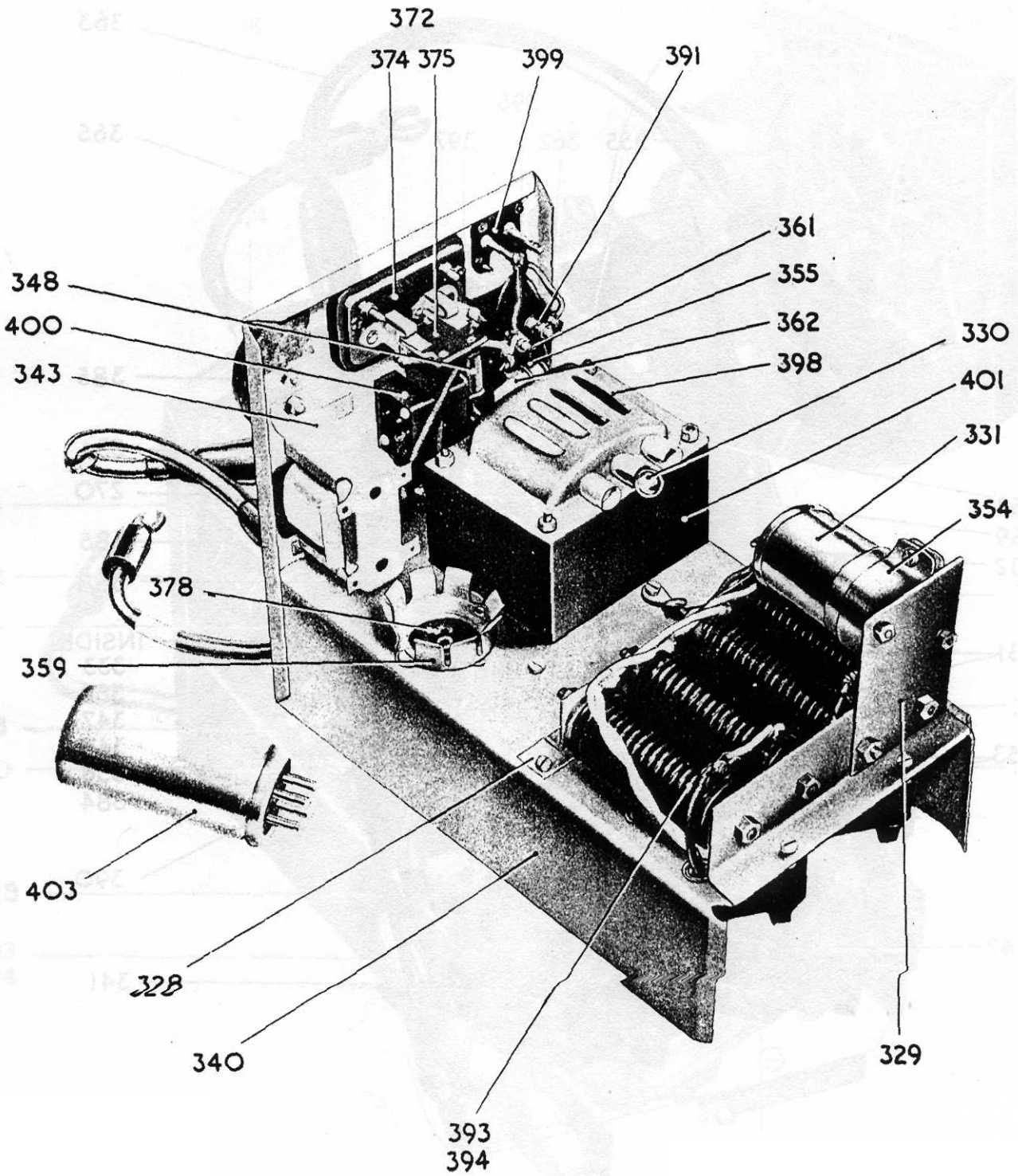
M



POWER SUPPLY UNITS No. 4 MK.II/1



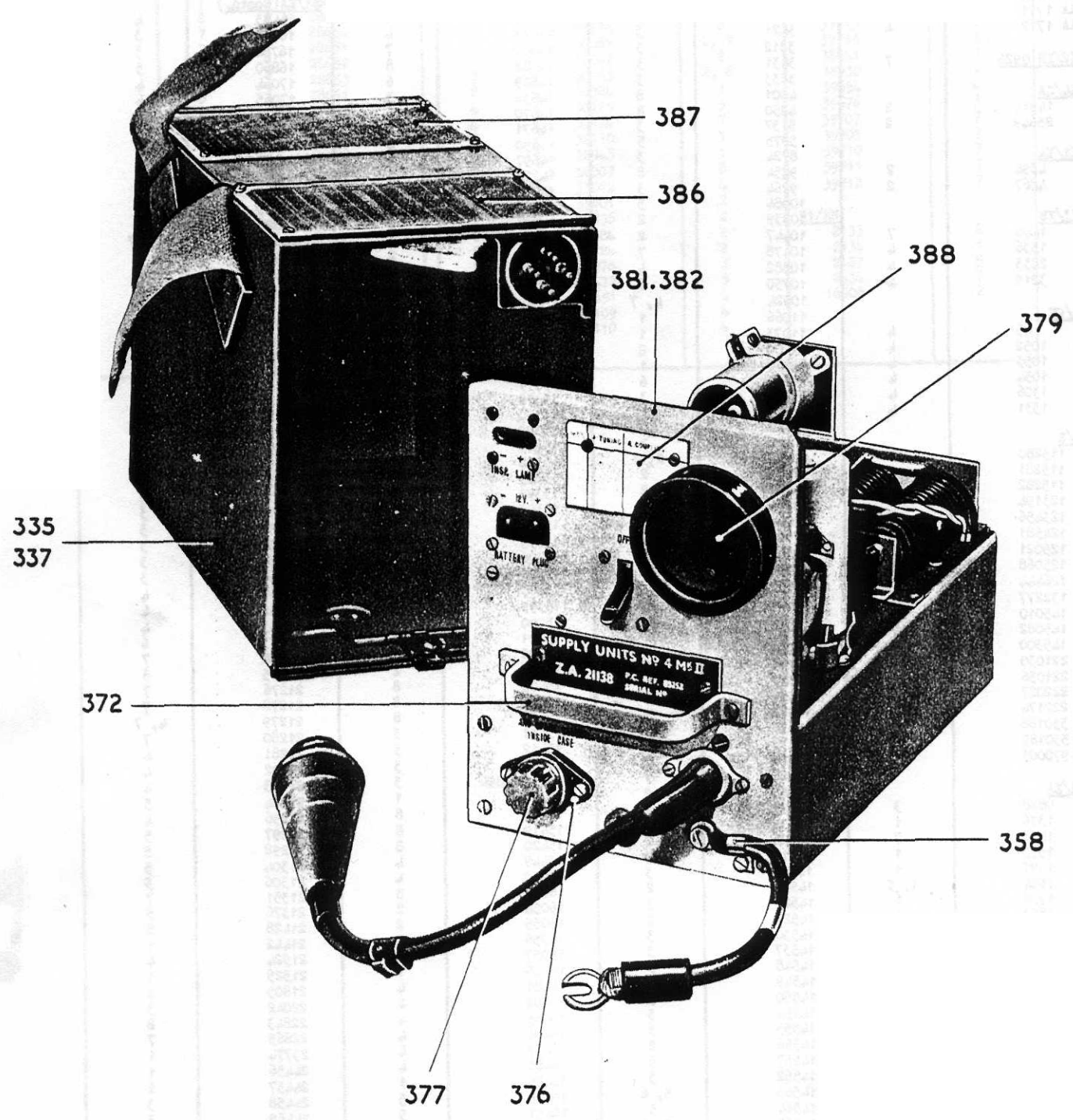
POWER SUPPLY UNITS NO. 4 MK. II.



POWER SUPPLY UNITS No. 4 MK. II

R

R



POWER SUPPLY UNITS No. 4 MK.II & MK.II/I



INDEX TO CATALOGUE NUMBERS

CATALOGUE NUMBER	PAGE NUMBER	CATALOGUE NUMBER	PAGE NUMBER	CATALOGUE NUMBER	PAGE NUMBER	CATALOGUE NUMBER	PAGE NUMBER
AA 0374	4	<u>Z1/ZA</u> (Contd.)		<u>Z1/ZA</u> (Contd.)		<u>Z1/ZA</u> (Contd.)	
AA 1711	4	3287	3	14566	1	16493	4
AA 1712	4	3421	3	14573	4	16728	3
<u>X2/XB</u> 0926	7	3812	3	14580	7	16788	3
<u>X1/ZA</u>		3831	3	14582	8	16860	5
14511	2	3833	3	14609	6	17064	4
25649	2	4201	8	14636	3	17065	4
<u>X1/YA</u>		4250	8	14670	6	17374	2
4394	2	5137	3	14671	6	18187	3
4867	2	5875	5	14690	6	18569	4
<u>X3/IB</u>		8724	3	14697	1	18973	1
1490	7	9254	8	14728	5	19263	3
1536	4	9264	3	14730	2, 5	19753	2
2833	4	10084	5	14736	2	19779	4
3215	4	10339	2	14778	2	19826	4
<u>Z1/CY</u>		10447	2	14991	1	20614	1, 7
65	4	10478	7	14992	2	20965	1
1052	4	10582	4	15055	5	20973	1
1053	4	10750	8	15060	3	20974	1
1054	4	10924	4, 7	15062	4	21098	3
1306	4	11066	1	15373	2	21138	7
1331	4	11073	1	15374	2	21144	1
<u>Z1/Z</u>		11200	8	15375	2	21145	1
115280	1	11230	1	15376	2	21146	1
115281	1	11319	6	15377	2, 7	21147	2
115282	1	11389	3	15378	2	21148	2
123194	1	11694	1	15380	3	21149	3
123456	1	11710	2	15382	2	21150	2
124581	7	11831	7	15383	3	21152	2
125021	1	11833	2, 7	15384	4	21153	2
125068	1	11921	2	15389	3	21154	3
125068	1	11949	2	15392	3	21155	3
126444	1, 5	12295	5	15392	3	21156	3
132277	1	12462	2, 5, 8	15393	3	21157	3
145010	1	12561	8	15394	3	21158	3
145082	7	12585	2	15395	2	21159	3
145300	7	12593	4	15396	4	21160	3
221030	8	12699	3, 8	15397	4	21161	4
221056	3	12934	8	15398	2	21162	4
222027	3	13349	3	15399	8	21163	4
222174	3	14047	7	15400	7	21163	4
530188	3	14082	3	15401	7	21273	6
530189	3	14271	2	15402	7	21274	7
970003	7	14271	2	15403	7	21275	8
<u>Z1/ZA</u>		14327	4	15405	8	21276	7
0828	3	14471	1	15406	8	21278	7
1376	1	14475	1	15408	8	21279	4, 7
1438	7	14476	1	15411	3	21280	7
1595	1	14477	2	15412	3	21281	4
1597	1	14480	2	15414	3	21292	4
1604	1, 5	14484	7	15415	3	21292	4
1706	1	14486	2	15417	1	21293	4
1853	3	14493	2	15418	8	21294	5
2009	1	14494	2	15418	8	21296	4
2022	3	14496	2	15419	8	21297	4
2028	3	14518	3	15420	8	21297	5
2031	3	14522	3	15449	4	21298	5
2034	3	14524	2	16050	4	21304	5
2134	1	14527	3	16052	8	21306	5
2809	3	14529	8	16054	2	21351	7
2828	3	14530	3	16055	2	21376	5
2836	6	14537	3	16056	2	21428	8
2951	7	14548	5	16057	2	21442	1
2970	3	14549	5	16145	1	21524	4
2994	3	14550	5	16481	4	21525	1
3231	8	14554	5	16482	4	21805	2
		14555	5	16485	4	22042	3
		14556	2	16486	4	22843	8
		14557	5	16487	4	22865	7
		14562	3	16488	4	23774	1
		14563	5, 6	16489	4	24456	1
		14564	5	16490	1	24457	2
		14565	5, 6	16491	5	24458	3
				16492	5	24459	3
					4	24845	4

INDEX TO CATALOGUE NUMBERS

CATALOGUE NUMBER	PAGE NUMBER	CATALOGUE NUMBER	PAGE NUMBER	CATALOGUE NUMBER	PAGE NUMBER	CATALOGUE NUMBER	PAGE NUMBER
<u>Z1/ZA</u> (Contd.)		<u>Z1/ZA</u> (Contd.)		<u>Z1/ZA</u> (Contd.)		<u>Z1/ZA</u> (Contd.)	
24851	3	27917	4	28722	7	37139	5
24933	6	28131	8	28731	7	37141	5
25605	1	28132	8	28816	2	37142	4
25606	7	28633	3	28892	2	37143	4
25619	7	28648	3	28928	5	37533	1
25620	8	28649	3	29068	1	37714	5
25621	7	28650	8	29586	8	37715	5
25622	7	28651	7	30061	2, 7	37716	5
25623	7	28652	7	30062	2	38841	7
25624	8	28653	7	30063	2, 6	38930	2
25685	3	28661	8	30924	3	39654	4
25785	7	28663	4	30925	3	39676	5
26402	2	28664	4	30974	7	39707	7
26403	4	28665	2	32110	1	39709	7
26404	2	28666	2	32943	1	39710	7
26405	3	28667	2	32807	8	39711	7
26444	2	28668	4	33012	4	39712	7
26447	2	28669	4	35801	2		
26448	1	28670	2	35836	2	<u>Z1/ZN</u>	
27081	2	28680	8	35884	2	2133	2
27426	5	28681	5	36124	2	2134	1
27656	2	28682	5	36378	3	2187	5
27657	3	28696	4	36472	5	2434	7
27658	3	28697	4	36651	4	16808	2
27673	7	28715	7	37109	4		
27916	4	28719	8	37110	4		